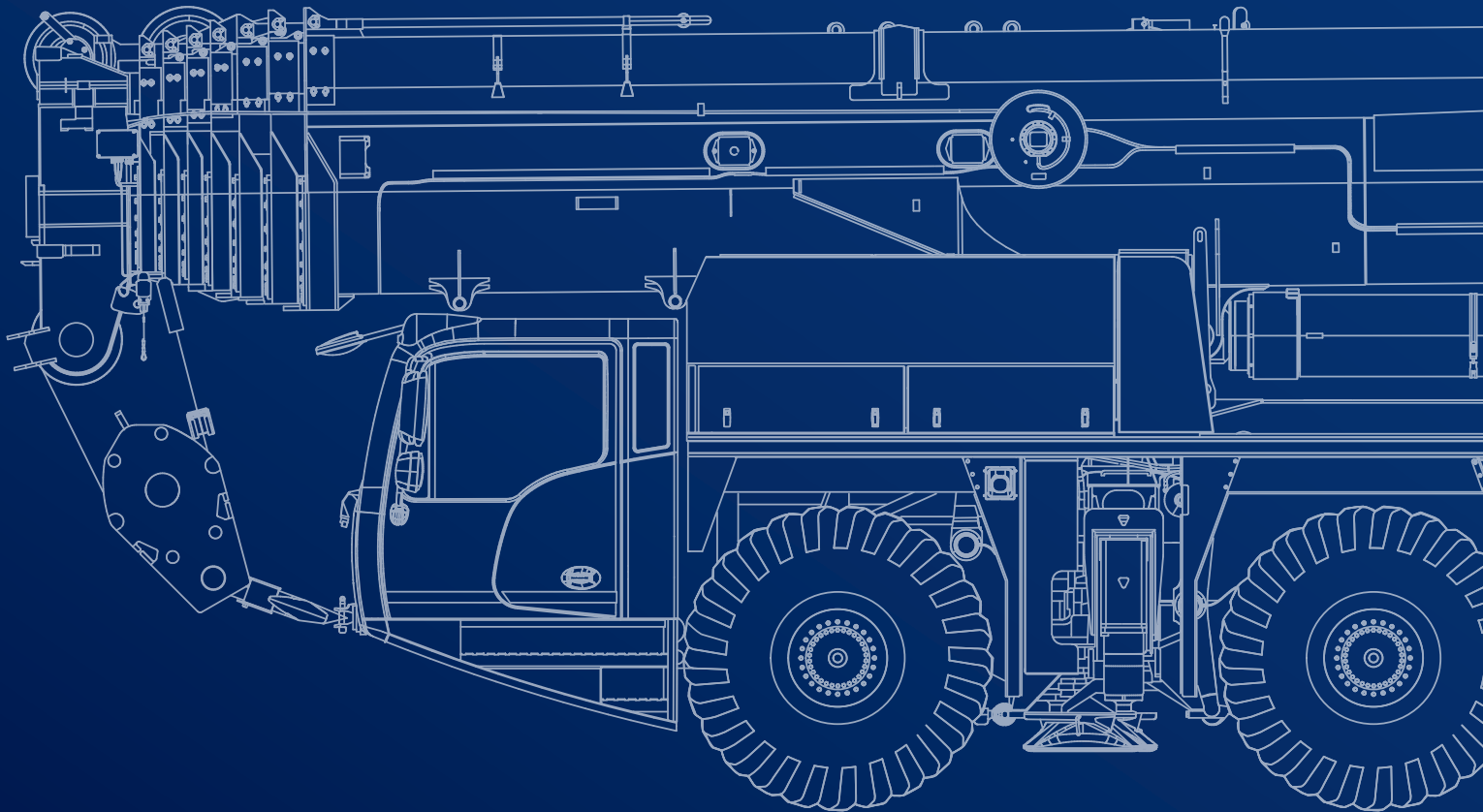


AC 5.250L-2

300 US TON MAX. CRANE CAPACITY



- Suitable for alternative fuels



PRELIMINARY



January 2026. Unless otherwise specified, all information in this brochure refers to a standard crane equipment, and it is intended as general information only. No liability is assumed. Errors reserved. Product specifications and prices are subject to changes without notice. The photographs and/or drawings in this brochure are for illustrative purposes only. For correct and safe crane operation, the original operating manual and lifting capacity charts are essential. Failure to follow the corresponding Operator's Manual when using our equipment or failure to otherwise act responsibly may result in property damage, serious injury or death. The sole warranty applicable with respect to our equipment is the standard warranty as per general terms and conditions of sales and service (ask your local Tadano dealer for details), and Tadano makes no other warranty, express or implied. All rights reserved. Any use of the trademarks, logos, brand names and model names used herein is prohibited.

© Tadano Ltd. 2026

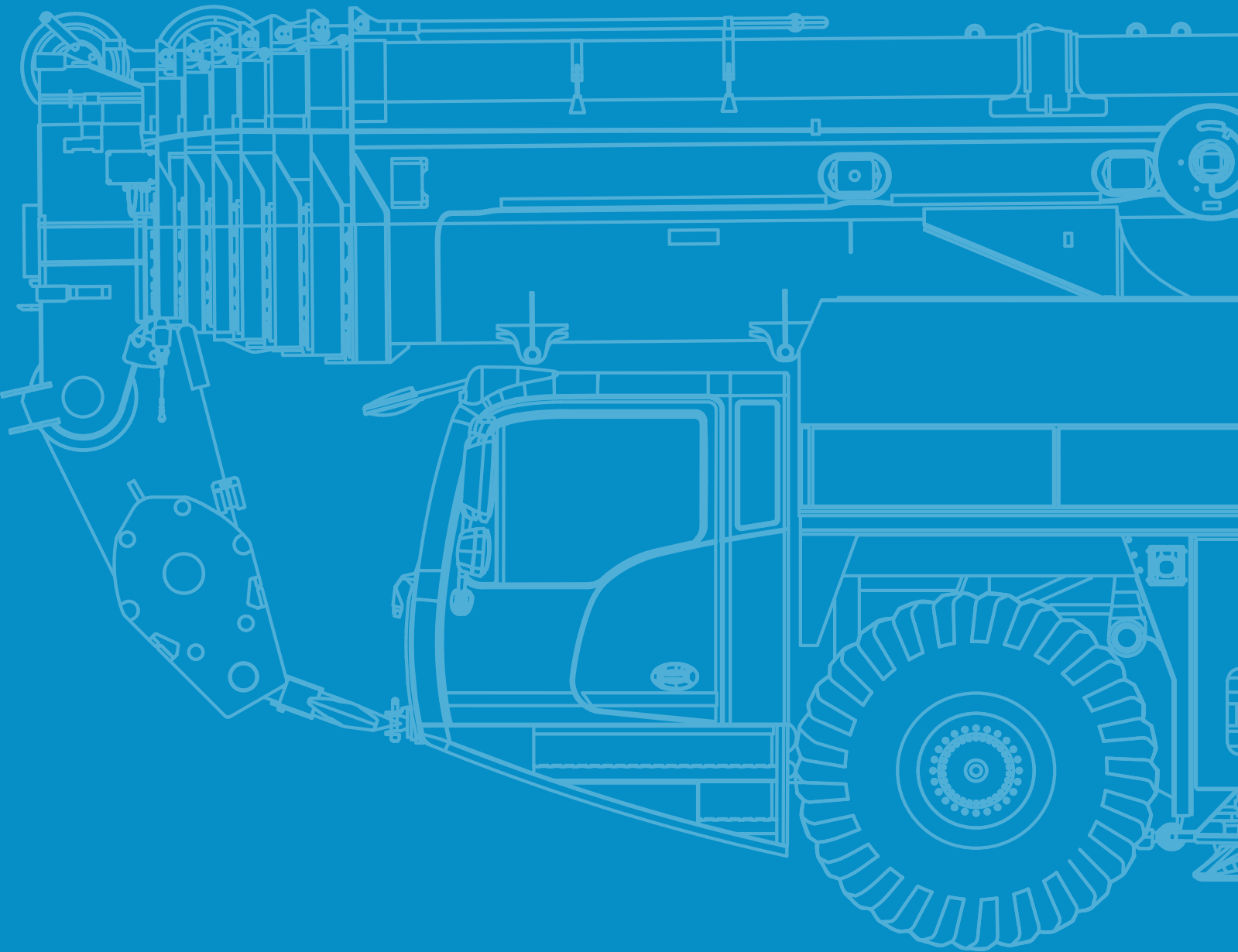
Contents

General	5
Vehicle dimensions	6
Boom combinations	7
On-road and off-road driving	9
Axle loads	10
Speeds and gradeability	10
Steering.....	10
Transportation	11
Counterweight	12-13
Configurations	12
Jib	14-16
Hoist 2	16
Operation	17
Main boom	19
Slewing	19
Hoist.....	19
Outrigger cylinders	19
Hook Blocks.....	19
MB: Main boom.....	20-27
FOJ: Folding swing-away jib	28-64
Notes to Lifting Capacity	66
Technical Description	67
Basic machine	68
Additional equipment.....	69

Key

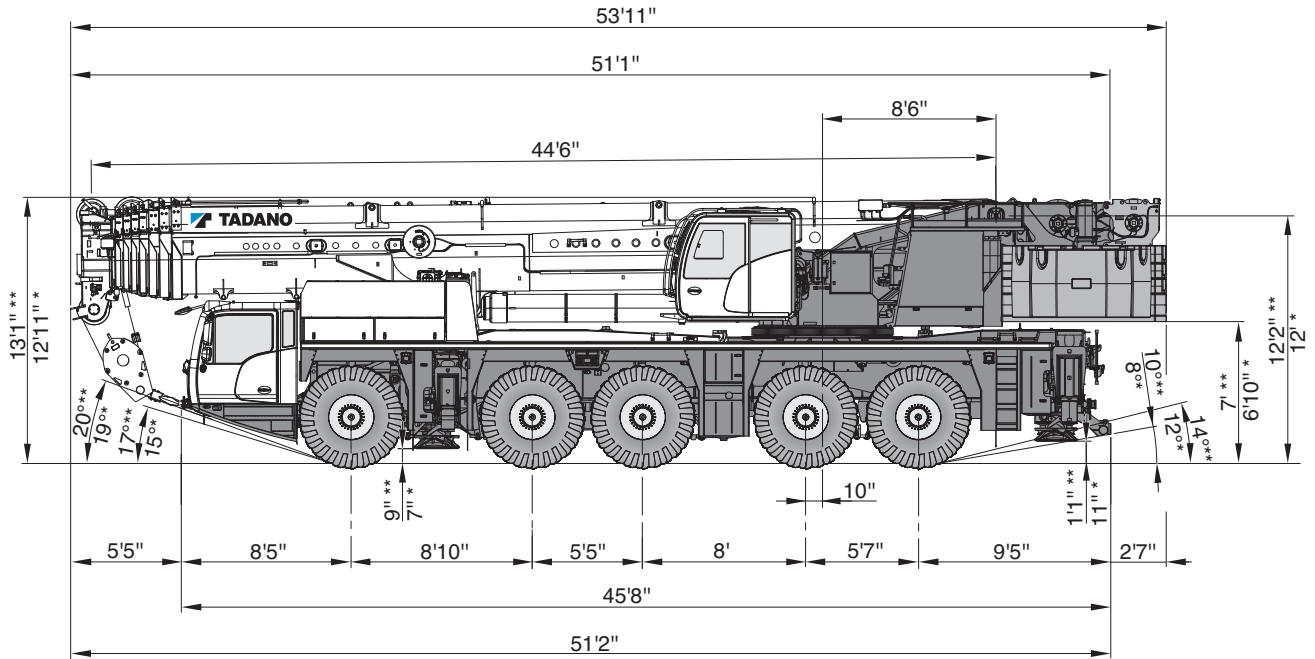
	Counterweight		Dolly
	Lifting capacities on outriggers · 360°		Working speeds
	Radius		Slewing
	Main boom		Max. line pull
	Folding swing-away jib		Rope diameter
	Runner		Rope length
	Max. axle loads		Hook block
	Mechanism		Number of lines
	Tires		Possible load of hook block
	Hook block		Weight of hook block
	Hoist		Distance head sheave axle – hook ground
	Travel speed		Number of sheaves in hook block
	Gradeability		Max. Max. outrigger load
	Off road / On road		Length of stroke (support cylinders)
	Boom telescoping		Transport storage FOJ at main boom
	Boom elevation		CombiBox tail incl. payload

GENERAL TECHNICAL DATA

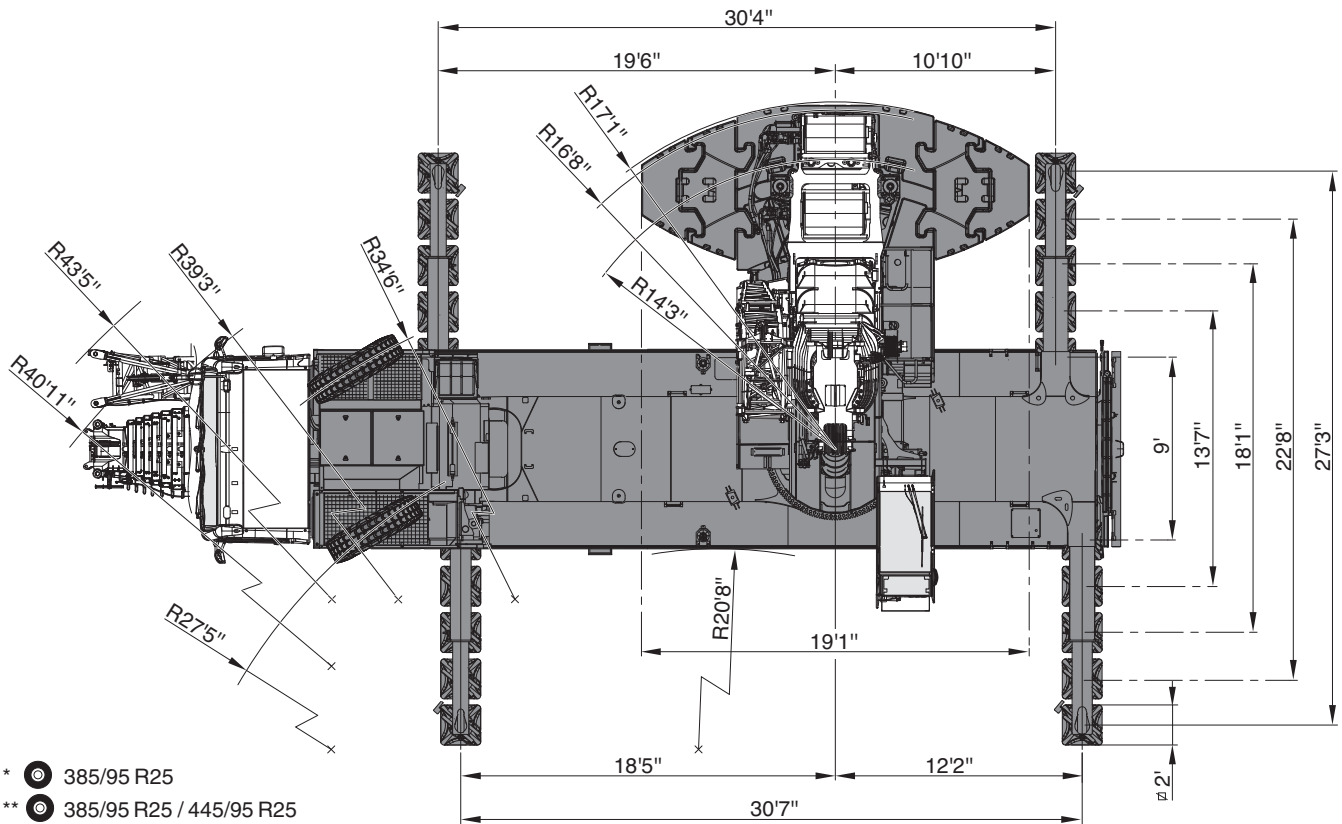


General

Vehicle dimensions



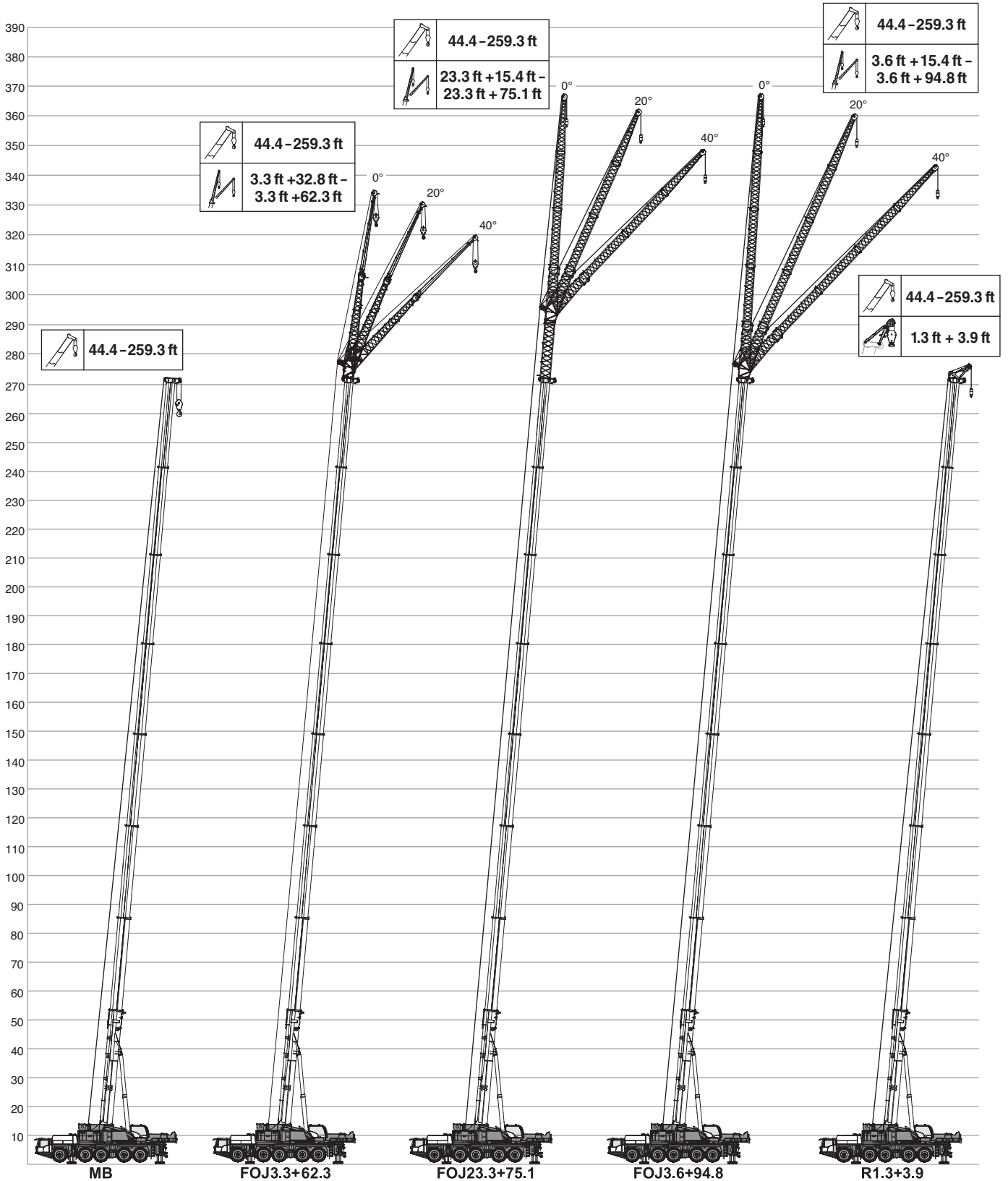
- * 385/95 R25
- ** 445/95 R25 / 525/80 R25



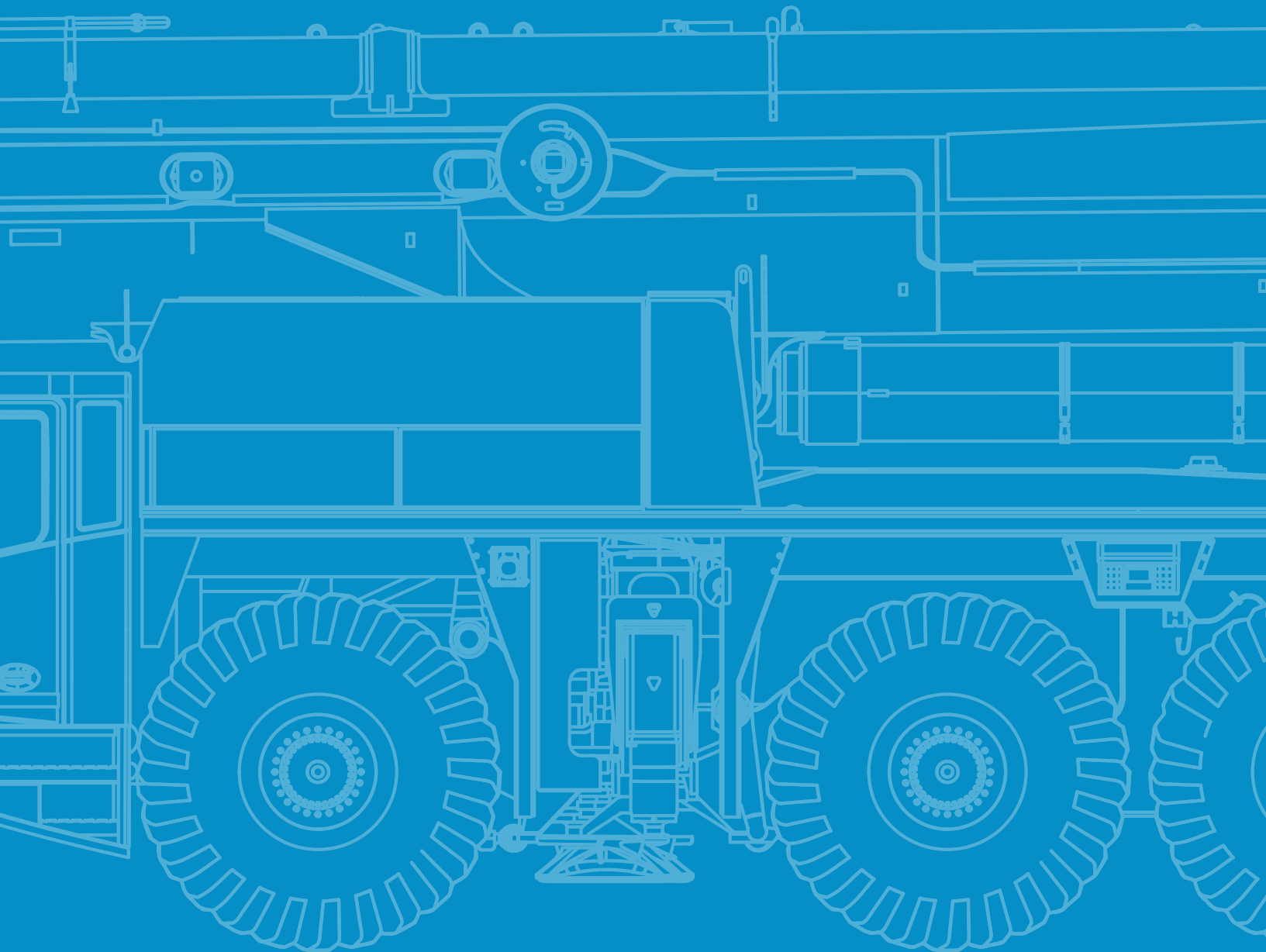
- * 385/95 R25
- ** 385/95 R25 / 445/95 R25

General

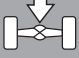
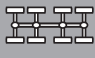







Boom Combinations









TECHNICAL DATA FOR ON-ROAD AND OFF-ROAD DRIVING










On-road and off-road driving

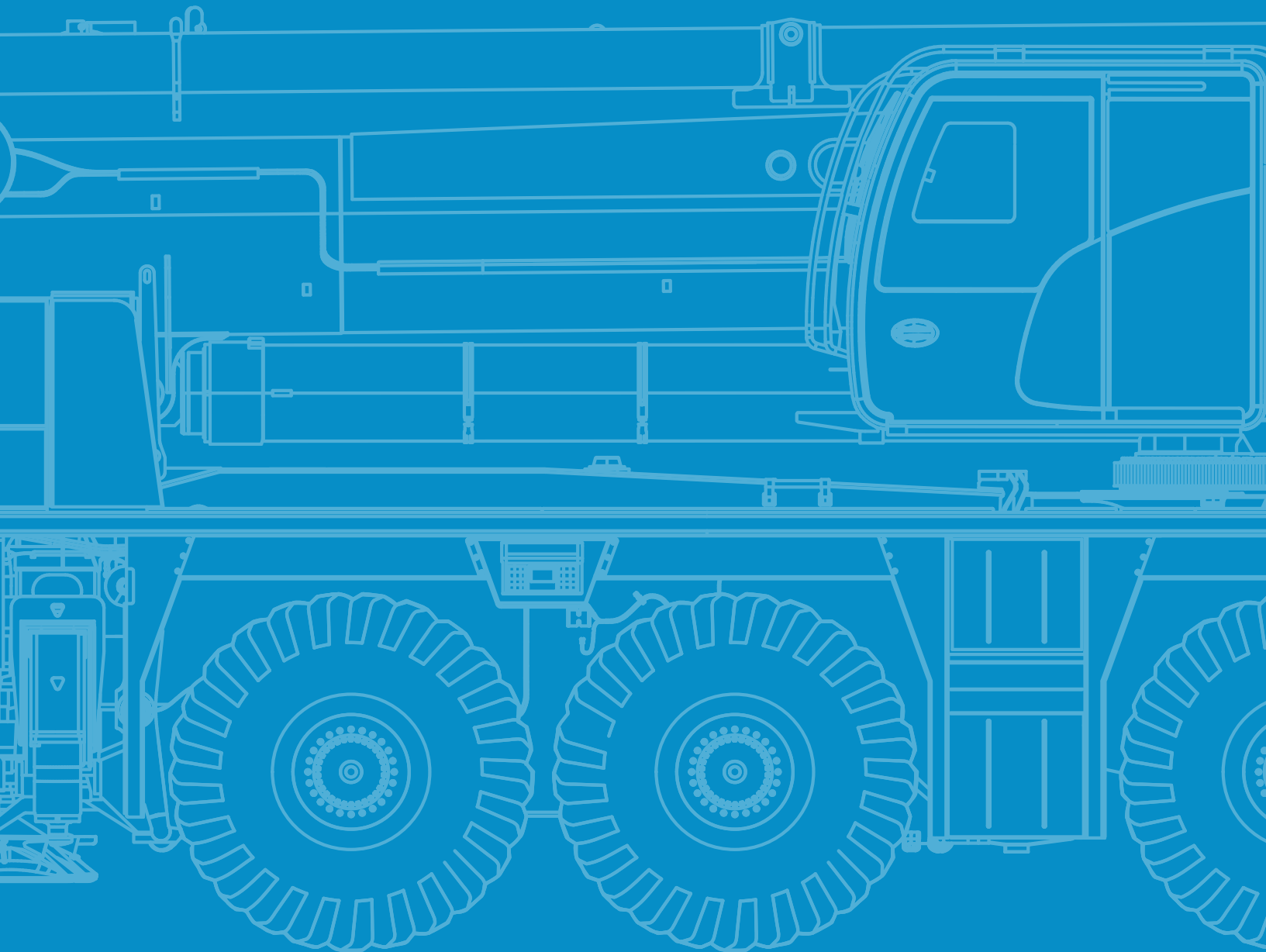
Axle loads									
	Total								
< 20,000 lbs								on request	X
26,500 lbs	< 132,300 lbs	10 x 6 x 10	445/95R25	10-0-21	–	–	0 lbs	661 lbs	–
26,500 lbs	< 132,300 lbs	10 x 6 x 10	445/95R25	32-1-21 Vario	X	–	0 lbs	551 lbs	–
26,500 lbs	< 132,300 lbs	10 x 8 x 10	445/95R25	–	–	–	0 lbs	441 lbs	–
28,700 lbs	< 136,700 lbs	10 x 8 x 10	445/95R25	32-1-21	X	3.6 ft + 15.4 ft	0 lbs	1,430 lbs	–
36,400 lbs	181,900 lbs	10 x 8 x 10	445/95R25	32-1-21	X	3.6 ft + 35.8 ft	44,100 lbs	1,100 lbs	–

Speeds and gradeability			
	385/95 R 25 14.00 R 25	445/95 R 25 16.00 R 25	525/80 R 25 20.50 R 25
 % 	59 %	53 %	53 %
 % 	66 %	58 %	58 %
	49.7 mph ¹⁾	52.8 mph ¹⁾	52.8 mph ¹⁾

¹⁾ Depending on tire type, size and country specific legislation

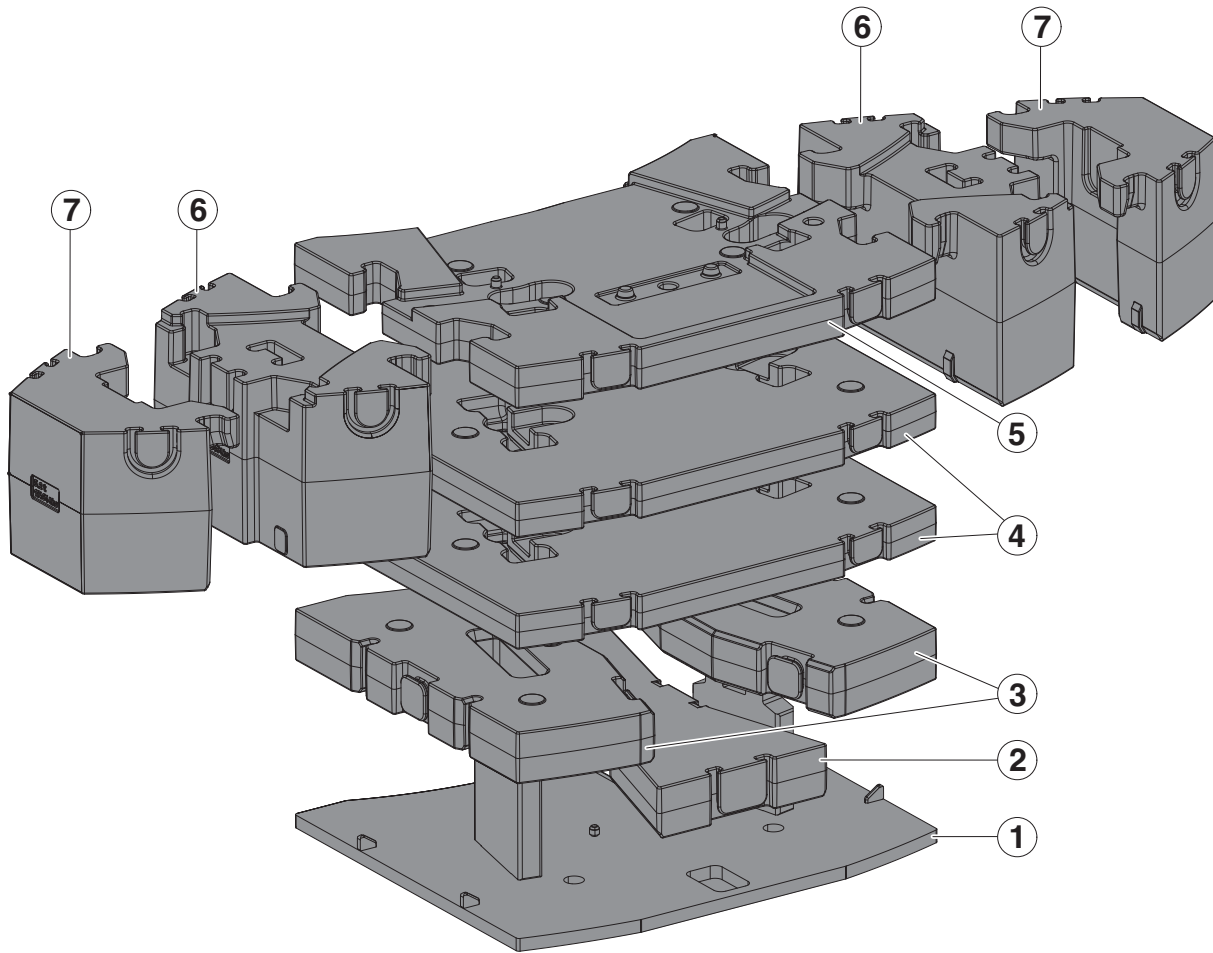
Steering	
	v < 18.6 mph
	18.6 mph ≤ v ≤ 24.9 mph
	v > 24.9 mph
	Manually steered
	Minimum turning radius
	Crab steer mode
	Off-wall

TECHNICAL DATA FOR TRANSPORT



Transportation

Counterweight

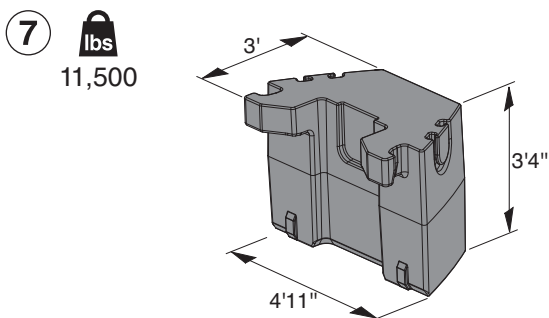
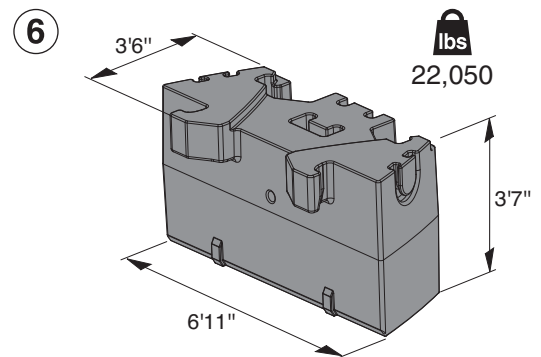
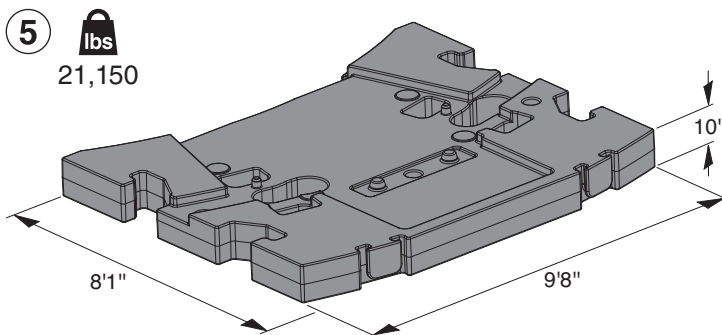
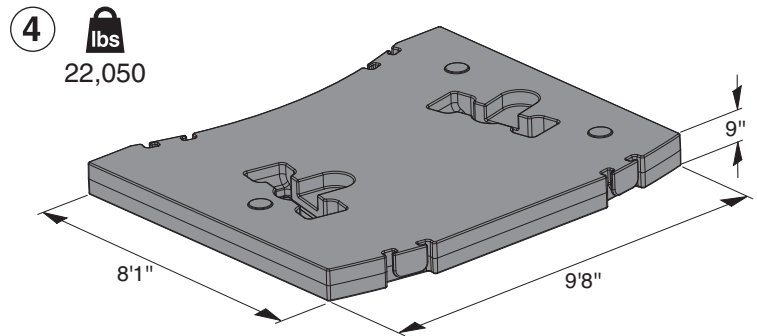
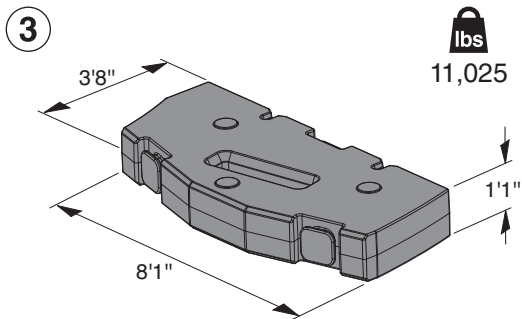
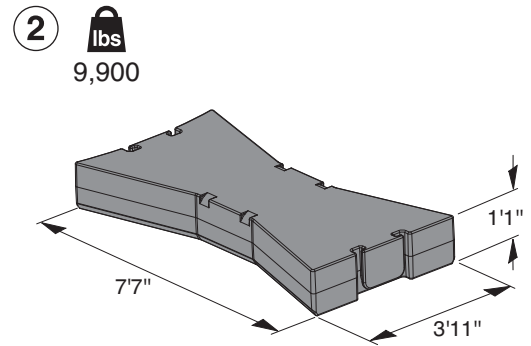
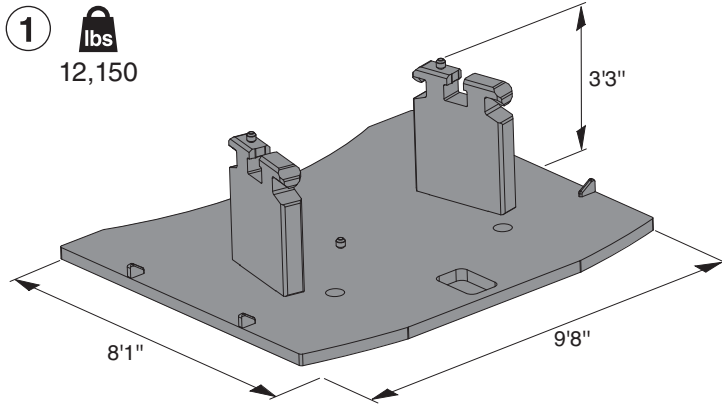


Configurations

lbs	12,150	34,200	44,100	56,250	66,150	78,300	88,200	99,450	109,400	122,450	132,350	143,550	153,450	166,550	176,400
① 12,150 lbs	1	1	1	1	1	1	1	1	1	1	1	1	1	1	1
② 9,900 lbs			1		1		1		1		1		1		1
③ 11,025 lbs		2	2	2	2	2	2	2	2	2	2	2	2	2	2
④ 22,050 lbs				1	1	2	2	2	2	2	2	2	2	2	2
⑤ 21,150 lbs								1	1	1	1	1	1	1	1
⑥ 22,050 lbs												2	2	2	2
⑦ 11,500 lbs										2	2			2	2

Transportation

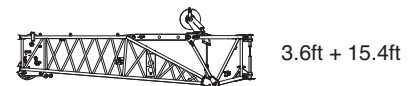
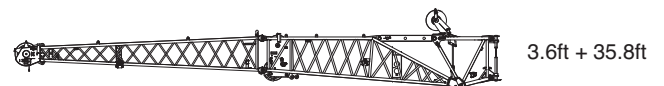
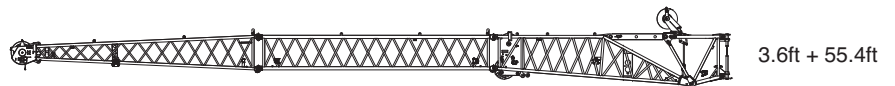
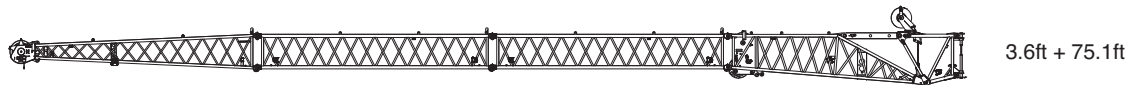
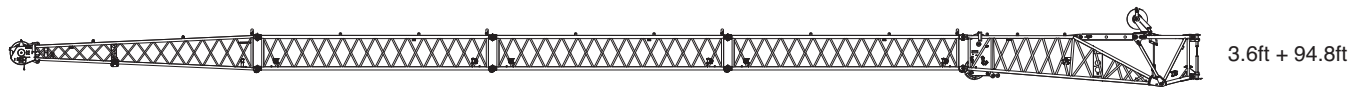
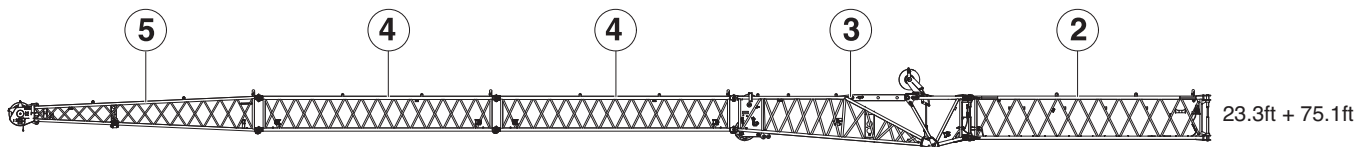
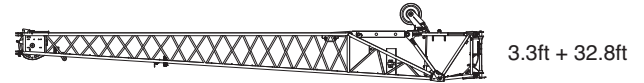
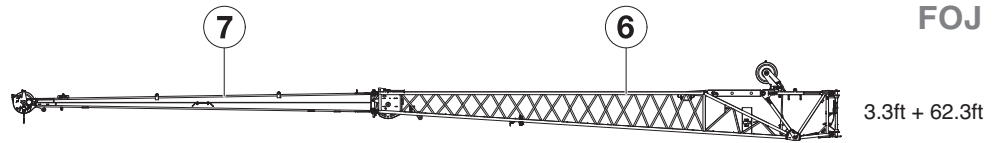
Counterweight



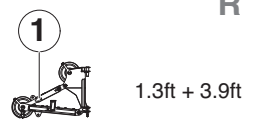
Transportation

Jib

FOJ



R

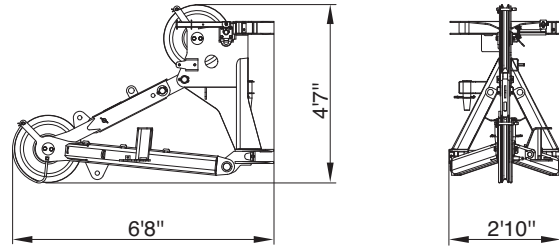


Transportation

Jib

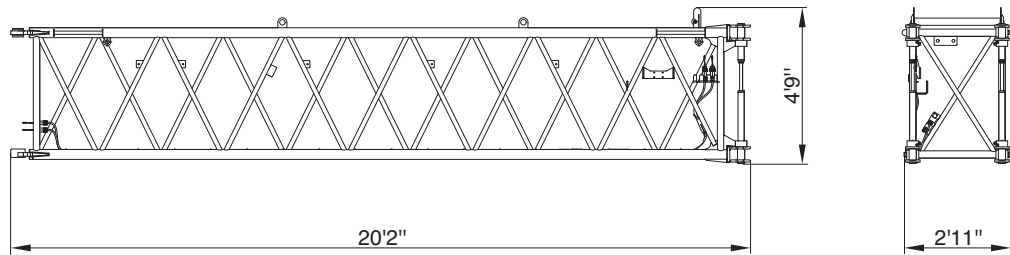
1

lbs
770



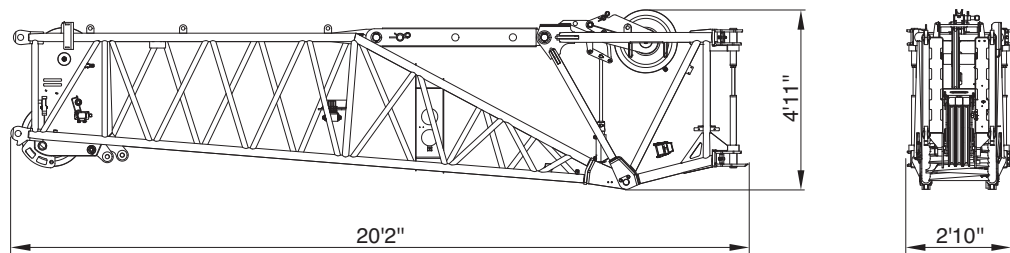
2

lbs
1,320



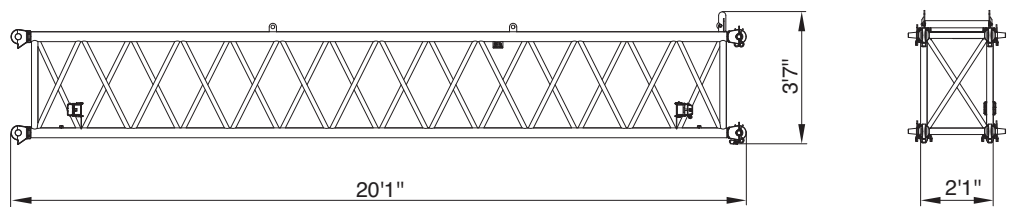
3

lbs
2,320



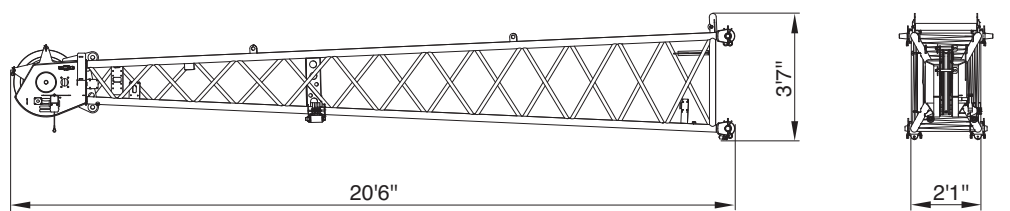
4

lbs
1,000



5

lbs
880

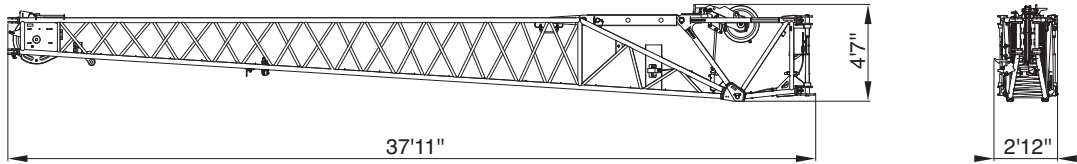


Transportation

Jib

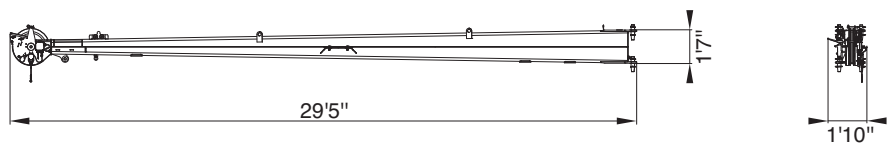
6

lbs
2,756
3,307 (HY)



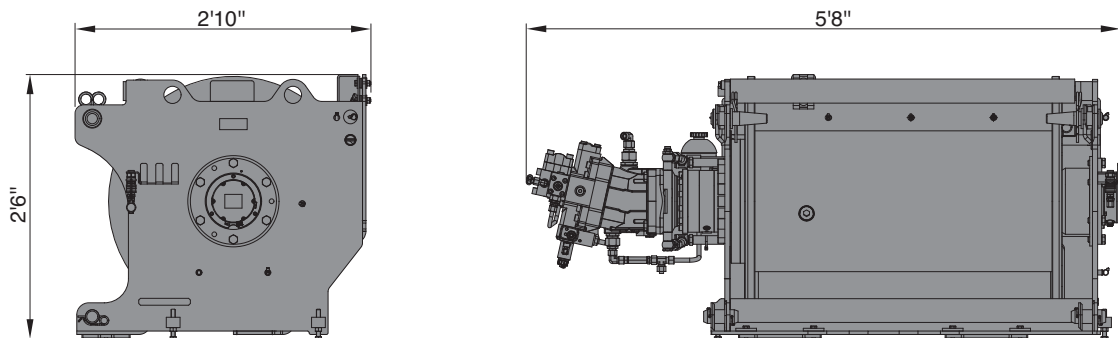
7

lbs
1,102

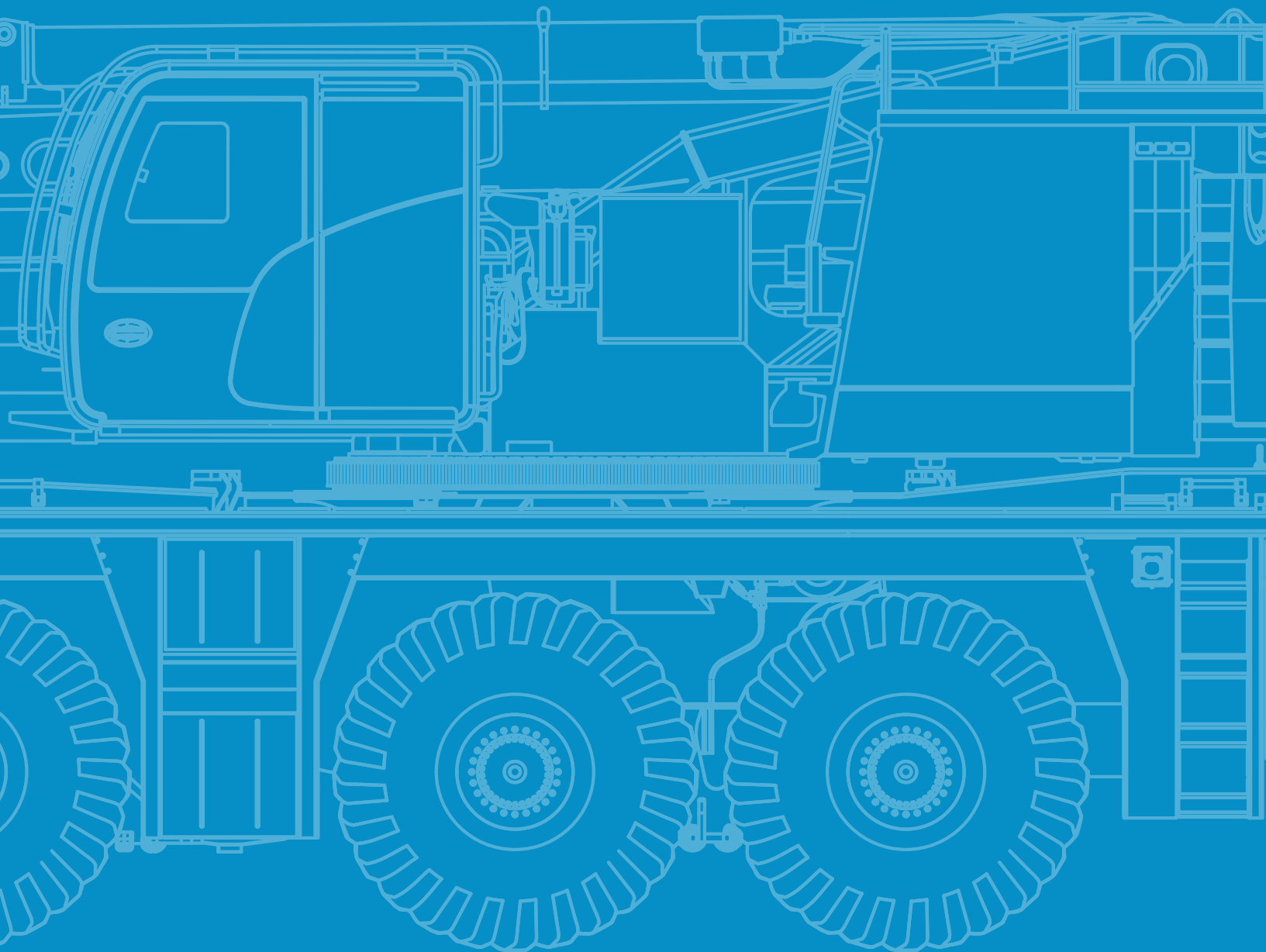


Hoist 2

lbs
3,640



TECHNICAL DATA FOR OPERATION



Operation

Main boom



approx. 797 s (44.4 ft - 259.3 ft)



approx. 56 s (-1° - 85°)

Slewing



0 - 1,1 min⁻¹

Hoist



1

393.7 ft/min

22,076 lbf

0.83"

1050 ft

2

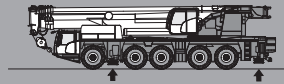
393.7 ft/min

22,076 lbf

0.83"

1050 ft

Outrigger cylinders



187,400 lbs

255,800 lbs



17.5"

22.0"

Hook Blocks



22,050 lbs

21,800 lbs

–

1

660 lbs

12.1 ft

70,500 lbs

64,800 lbs

1

3

990 lbs

8.2 ft

176,400 lbs

148,400 lbs

3

7

1,760 lbs

8.9 ft

275,600 lbs

228,700 lbs

5

11

2,540 lbs

9.2 ft

352,800 lbs

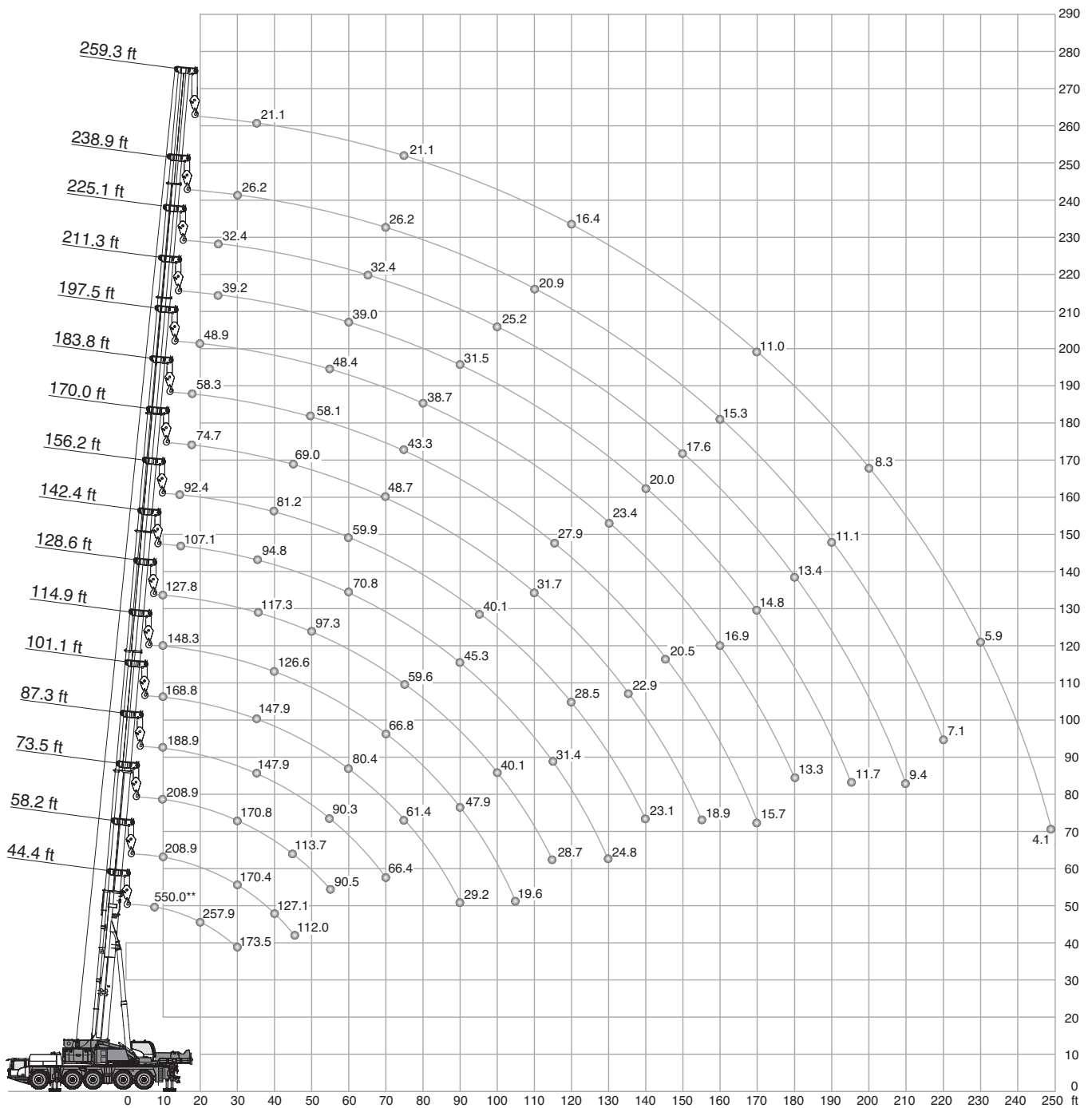
305,800 lbs

7

15

2,870 lbs

9.5 ft



** Max. crane capacity – with additional special equipment

Operation

MB

176,400 lbs		30.55 ft x 27.2 ft																360°		ASME B30.5	
		(ft)																			
		44.4 ¹⁾	44.4	58.2	73.5	87.3	101.1	114.9	128.6	142.4	156.2	170.0	183.8	197.5	211.3	225.1	238.9	259.3			
ft	1,000 lbs																		ft		
8.2	550.0**	-	-	-	-	-	-	-	-	-	-	-	-	-	-	-	-	-	-	8.2	
9.8	305.7*	305.7*	208.9	208.9	188.9	168.8	148.3	127.8	-	-	-	-	-	-	-	-	-	-	-	9.8	
10	305.7*	305.7*	208.9	208.9	188.9	168.8	148.3	127.8	-	-	-	-	-	-	-	-	-	-	-	10	
12	305.7*	305.7*	208.9	208.9	188.9	168.8	148.3	127.8	-	-	-	-	-	-	-	-	-	-	-	12	
14	302.6*	300.8*	208.9	208.9	188.9	168.8	148.3	127.8	107.1	92.4	-	-	-	-	-	-	-	-	-	14	
16	295.7*	290.1*	208.9	208.9	188.9	168.8	148.3	127.8	107.1	94.0	-	-	-	-	-	-	-	-	-	16	
18	277.9*	269.1*	208.9	208.9	188.9	168.8	148.3	127.8	107.1	94.3	74.7	58.3	-	-	-	-	-	-	-	18	
20	257.9*	246.2*	208.9	208.9	188.9	168.8	148.3	127.8	107.1	94.3	74.7	60.1	48.9	-	-	-	-	-	-	20	
25	213.0*	201.7	199.4	199.6	188.9	168.8	148.3	127.8	107.1	94.3	74.7	60.1	48.9	39.2	32.4	-	-	-	-	25	
30	173.5	168.7	170.4	170.8	170.0	167.1	148.3	124.8	104.8	93.9	74.7	60.1	48.9	39.2	32.4	26.2	-	-	-	30	
35	-	-	146.1	146.3	147.9	147.9	143.3	117.3	94.8	88.4	74.7	60.1	48.9	39.2	32.4	26.2	21.1	-	-	35	
40	-	-	127.1	127.9	129.9	128.8	126.6	110.6	87.5	81.2	74.1	60.1	48.9	39.2	32.4	26.2	21.1	-	-	40	
45	-	-	112.0	113.7	113.7	112.6	110.8	104.4	82.8	74.8	69.0	60.1	48.9	39.2	32.4	26.2	21.1	-	-	45	
50	-	-	-	101.2	101.0	99.9	98.1	97.3	78.4	69.2	64.1	58.1	48.9	39.2	32.4	26.2	21.1	-	-	50	
55	-	-	-	90.5	90.3	89.2	88.5	88.9	74.4	64.3	59.7	55.1	48.4	39.2	32.4	26.2	21.1	-	-	55	
60	-	-	-	-	81.2	80.4	81.2	79.9	70.8	59.9	55.7	51.8	47.2	39.0	32.4	26.2	21.1	-	-	60	
65	-	-	-	-	73.6	74.5	73.6	72.1	67.6	55.8	52.0	48.6	45.1	38.2	32.4	26.2	21.1	-	-	65	
70	-	-	-	-	66.4	67.5	66.8	64.7	64.5	52.4	48.7	45.9	42.8	36.9	31.7	26.2	21.1	-	-	70	
75	-	-	-	-	-	61.4	60.7	59.6	59.9	49.3	45.7	43.3	40.7	35.4	30.6	25.9	21.1	-	-	75	
80	-	-	-	-	-	56.3	55.3	55.8	54.2	46.5	43.1	40.8	38.7	34.0	29.4	25.4	21.1	-	-	80	
85	-	-	-	-	-	51.6	51.0	51.0	49.4	44.1	41.1	38.4	36.6	32.7	28.3	24.9	20.9	-	-	85	
90	-	-	-	-	-	29.2	47.9	46.9	45.3	42.0	38.9	36.4	34.6	31.5	27.2	24.1	20.3	-	-	90	
95	-	-	-	-	-	-	44.6	43.3	41.7	40.1	36.8	34.5	32.9	30.3	26.2	23.3	19.8	-	-	95	
100	-	-	-	-	-	-	36.8	40.1	38.5	37.9	34.9	32.7	31.2	29.0	25.2	22.4	19.4	-	-	100	
105	-	-	-	-	-	-	19.6	37.2	35.7	35.0	33.2	31.0	29.5	27.5	24.4	21.6	18.7	-	-	105	
110	-	-	-	-	-	-	-	34.7	33.2	33.0	31.7	29.3	28.1	26.1	23.6	20.9	18.0	-	-	110	
115	-	-	-	-	-	-	-	28.7	31.4	30.8	30.2	27.9	26.8	24.9	22.7	20.2	17.2	-	-	115	
120	-	-	-	-	-	-	-	-	30.2	28.5	28.5	26.6	25.6	23.9	21.9	19.5	16.4	-	-	120	
125	-	-	-	-	-	-	-	-	28.9	26.5	26.5	25.4	24.5	23.0	21.3	18.9	15.8	-	-	125	
130	-	-	-	-	-	-	-	-	24.8	25.4	24.6	24.4	23.4	21.9	20.6	18.3	15.1	-	-	130	
135	-	-	-	-	-	-	-	-	-	24.4	22.9	23.0	21.9	21.0	20.0	17.7	14.4	-	-	135	
140	-	-	-	-	-	-	-	-	-	23.1	21.5	21.7	20.7	20.0	19.2	17.2	13.9	-	-	140	
145	-	-	-	-	-	-	-	-	-	-	-	20.4	20.5	19.9	19.0	18.4	16.6	13.3	-	145	
150	-	-	-	-	-	-	-	-	-	-	19.7	19.1	19.2	18.0	17.6	16.1	12.8	-	-	150	
155	-	-	-	-	-	-	-	-	-	-	18.9	18.0	18.0	17.1	16.8	15.8	12.3	-	-	155	
160	-	-	-	-	-	-	-	-	-	-	-	17.1	16.9	16.4	15.9	15.3	11.8	-	-	160	
165	-	-	-	-	-	-	-	-	-	-	-	16.4	15.8	15.8	14.8	14.8	11.3	-	-	165	
170	-	-	-	-	-	-	-	-	-	-	-	15.7	14.8	14.8	14.2	14.5	11.0	-	-	170	
175	-	-	-	-	-	-	-	-	-	-	-	-	14.0	14.0	13.8	13.6	10.5	-	-	175	
180	-	-	-	-	-	-	-	-	-	-	-	-	-	13.3	13.2	13.4	12.7	10.0	-	180	
185	-	-	-	-	-	-	-	-	-	-	-	-	-	-	12.6	13.0	11.9	9.6	-	185	
190	-	-	-	-	-	-	-	-	-	-	-	-	-	-	12.1	12.3	11.1	9.0	-	190	
195	-	-	-	-	-	-	-	-	-	-	-	-	-	-	11.7	11.5	10.4	8.6	-	195	
200	-	-	-	-	-	-	-	-	-	-	-	-	-	-	-	10.8	9.7	8.3	-	200	
205	-	-	-	-	-	-	-	-	-	-	-	-	-	-	-	10.1	9.0	8.0	-	205	
210	-	-	-	-	-	-	-	-	-	-	-	-	-	-	-	9.4	8.3	7.7	-	210	
215	-	-	-	-	-	-	-	-	-	-	-	-	-	-	-	-	7.6	7.2	-	215	
220	-	-	-	-	-	-	-	-	-	-	-	-	-	-	-	-	7.1	6.9	-	220	
225	-	-	-	-	-	-	-	-	-	-	-	-	-	-	-	-	-	6.5	-	225	
230	-	-	-	-	-	-	-	-	-	-	-	-	-	-	-	-	-	5.9	-	230	
235	-	-	-	-	-	-	-	-	-	-	-	-	-	-	-	-	-	5.3	-	235	
240	-	-	-	-	-	-	-	-	-	-	-	-	-	-	-	-	-	4.9	-	240	
245	-	-	-	-	-	-	-	-	-	-	-	-	-	-	-	-	-	4.4	-	245	
249	-	-	-	-	-	-	-	-	-	-	-	-	-	-	-	-	-	4.1	-	249	

1) over rear

* with heavy lift attachment

** Max. crane capacity – with additional special equipment

Operation

MB



109,400 lbs		30.55 ft x 27.2 ft		360° / Max.**								ASME B30.5						
360° (ft)		Max.	360°	Max.	360°	Max.	360°	Max.	360°	Max.	360°	Max.	360°	Max.	360°	Max.	360°	Max.
ft		1,000 lbs																ft
9.8	305.7*	305.7*	208.9	208.9	208.9	208.9	188.9	188.9	168.8	168.8	148.3	148.3	127.8	127.8	-	-	9.8	
10	305.7*	305.7*	208.9	208.9	208.9	208.9	188.9	188.9	168.8	168.8	148.3	148.3	127.8	127.8	-	-	10	
12	305.7*	305.7*	208.9	208.9	208.9	208.9	188.9	188.9	168.8	168.8	148.3	148.3	127.8	127.8	-	-	12	
14	295.6*	300.8*	208.9	208.9	208.9	208.9	188.9	188.9	168.8	168.8	148.3	148.3	127.8	127.8	107.1	107.1	14	
16	273.0*	290.1*	208.9	208.9	208.9	208.9	188.9	188.9	168.8	168.8	148.3	148.3	127.8	127.8	107.1	107.1	16	
18	249.6*	264.6*	208.9	208.9	208.9	208.9	188.9	188.9	168.8	168.8	148.3	148.3	127.8	127.8	107.1	107.1	18	
20	226.7*	236.5*	208.1	208.5	208.2	208.5	188.9	188.9	168.8	168.8	148.3	148.3	127.8	127.8	107.1	107.1	20	
25	183.8	185.8	185.4	187.4	185.6	187.6	180.7	181.0	168.8	168.8	148.3	148.3	127.8	127.8	107.1	107.1	25	
30	152.3	152.3	153.9	153.9	154.4	154.4	156.3	156.3	155.1	155.2	145.6	146.7	124.8	124.8	104.8	104.8	30	
35	-	-	130.1	130.1	132.2	132.2	132.0	132.0	128.4	130.3	120.1	128.1	115.8	117.3	94.8	94.8	35	
40	-	-	108.9	109.0	110.5	111.5	110.1	111.1	108.1	110.0	106.1	107.3	100.1	109.1	87.5	87.5	40	
45	-	-	90.3	91.5	91.8	92.9	91.3	92.5	92.1	93.7	91.6	92.6	86.0	90.8	82.8	82.8	45	
50	-	-	-	-	78.0	79.2	78.6	80.1	79.6	81.2	78.6	79.9	77.2	79.5	74.9	76.5	50	
55	-	-	-	-	67.4	68.7	68.9	70.5	69.2	70.7	68.5	70.1	68.8	70.2	66.3	68.5	55	
60	-	-	-	-	-	-	61.0	62.6	60.6	62.1	61.0	62.8	59.9	61.5	58.3	59.8	60	
65	-	-	-	-	-	-	53.9	55.5	54.7	56.2	53.9	55.5	52.8	54.4	51.9	53.0	65	
70	-	-	-	-	-	-	48.8	50.2	49.1	50.5	48.4	49.7	47.3	48.5	46.7	47.9	70	
75	-	-	-	-	-	-	-	36.2	44.2	45.5	43.5	44.8	42.5	43.8	42.5	43.4	75	
80	-	-	-	-	-	-	-	-	40.0	41.2	39.2	40.4	38.8	40.1	38.9	39.5	80	
85	-	-	-	-	-	-	-	-	36.3	37.6	35.6	36.7	36.3	36.5	35.2	36.3	85	
90	-	-	-	-	-	-	-	-	24.8	25.2	32.8	33.7	33.3	34.0	32.8	33.3	90	
95	-	-	-	-	-	-	-	-	-	-	30.5	31.5	30.4	31.4	30.2	30.9	95	
100	-	-	-	-	-	-	-	-	-	-	26.8	27.6	28.0	29.1	27.6	28.7	100	
105	-	-	-	-	-	-	-	-	-	-	19.6	19.6	26.2	27.3	25.3	26.4	105	
110	-	-	-	-	-	-	-	-	-	-	-	-	24.1	25.2	23.3	24.4	110	
115	-	-	-	-	-	-	-	-	-	-	-	-	21.1	21.7	21.9	22.6	115	
120	-	-	-	-	-	-	-	-	-	-	-	-	-	16.1	20.6	21.3	120	
125	-	-	-	-	-	-	-	-	-	-	-	-	-	-	19.3	20.4	125	
130	-	-	-	-	-	-	-	-	-	-	-	-	-	-	18.3	19.0	130	
135	-	-	-	-	-	-	-	-	-	-	-	-	-	-	-	13.1	135	

* with heavy lift attachment

** Max. values are valid only for specific superstructure positions

Operation

MB



109,400 lbs		30.55 ft x 27.2 ft		360° / Max.**								ASME B30.5						
		360°	Max.	360°	Max.	360°	Max.	360°	Max.	360°	Max.	360°	Max.	360°	Max.	360°	Max.	
(ft)		156.2	156.2	170.0	170.0	183.8	183.8	197.5	197.5	211.3	211.3	225.1	225.1	238.9	238.9	259.3	259.3	
ft		1,000 lbs																ft
14	92.4	92.4	-	-	-	-	-	-	-	-	-	-	-	-	-	-	-	14
16	94.0	94.0	-	-	-	-	-	-	-	-	-	-	-	-	-	-	-	16
18	94.3	94.3	74.7	74.7	58.3	58.3	-	-	-	-	-	-	-	-	-	-	-	18
20	94.3	94.3	74.7	74.7	60.1	60.1	48.9	48.9	-	-	-	-	-	-	-	-	-	20
25	94.3	94.3	74.7	74.7	60.1	60.1	48.9	48.9	39.2	39.2	32.4	32.4	-	-	-	-	-	25
30	93.9	93.9	74.7	74.7	60.1	60.1	48.9	48.9	39.2	39.2	32.4	32.4	26.2	26.2	-	-	-	30
35	88.4	88.4	74.7	74.7	60.1	60.1	48.9	48.9	39.2	39.2	32.4	32.4	26.2	26.2	21.1	21.6	-	35
40	81.2	81.2	74.1	74.1	60.1	60.1	48.9	48.9	39.2	39.2	32.4	32.4	26.2	26.2	21.1	21.6	-	40
45	74.8	74.8	69.0	69.0	60.1	60.1	48.9	48.9	39.2	39.2	32.4	32.4	26.2	26.2	21.1	21.6	-	45
50	69.2	69.2	64.1	64.1	58.1	58.1	48.9	48.9	39.2	39.2	32.4	32.4	26.2	26.2	21.1	21.6	-	50
55	63.4	63.8	59.1	59.7	55.1	55.1	48.4	48.4	39.2	39.2	32.4	32.4	26.2	26.2	21.1	21.6	-	55
60	57.0	58.2	54.0	55.4	51.7	51.8	47.2	47.2	39.0	39.0	32.4	32.4	26.2	26.2	21.1	21.6	-	60
65	50.6	51.9	49.6	50.0	47.8	48.6	45.1	45.1	38.2	38.2	32.4	32.4	26.2	26.2	21.1	21.6	-	65
70	45.9	46.8	45.4	46.2	43.4	44.9	42.1	42.8	36.9	36.9	31.7	31.7	26.2	26.2	21.1	21.6	-	70
75	41.8	42.6	41.2	42.2	39.9	41.4	38.6	40.0	35.4	35.4	30.6	30.6	25.9	25.9	21.1	21.6	-	75
80	38.1	39.0	37.3	38.1	36.9	38.0	35.3	36.7	33.7	34.0	29.4	29.4	25.4	25.4	21.1	21.5	-	80
85	35.2	35.6	34.3	35.6	33.2	34.3	32.9	33.4	31.6	32.7	28.3	28.3	24.9	24.9	20.9	20.9	-	85
90	32.2	33.1	31.3	32.3	31.1	31.6	30.3	31.1	29.3	30.3	27.2	27.2	24.1	24.1	20.3	20.4	-	90
95	29.3	30.4	29.0	29.7	28.7	29.2	27.8	28.7	26.8	27.7	26.0	26.2	23.3	23.3	19.8	19.9	-	95
100	27.0	27.8	26.9	27.6	26.1	27.1	25.5	26.4	24.7	25.5	24.3	25.0	22.4	22.4	19.4	19.4	-	100
105	25.3	25.5	24.6	25.7	24.0	25.1	23.5	24.2	23.3	24.0	22.0	23.3	21.6	21.6	18.7	18.7	-	105
110	23.5	24.3	22.9	24.0	22.5	23.3	22.2	22.7	21.3	22.3	20.8	21.3	20.8	20.9	18.0	18.0	-	110
115	21.8	22.7	21.2	22.3	21.0	21.7	20.5	21.4	19.9	20.6	19.9	20.0	19.2	20.0	17.2	17.2	-	115
120	20.3	21.1	19.8	20.8	19.6	20.5	18.9	20.1	18.8	19.2	18.8	19.2	17.4	18.8	16.4	16.4	-	120
125	18.8	19.9	18.8	19.3	17.9	19.3	17.6	18.4	18.1	18.2	17.3	18.6	15.9	17.3	15.7	15.8	-	125
130	17.4	18.5	17.3	18.3	16.6	17.9	17.0	17.2	16.8	17.5	15.8	17.1	14.6	15.9	14.6	15.1	-	130
135	16.5	17.3	16.0	17.1	15.8	16.6	16.3	16.4	15.5	16.6	14.5	15.8	13.3	14.9	13.4	14.4	-	135
140	15.6	16.3	14.9	16.1	15.2	15.4	15.3	15.8	14.3	15.5	13.3	14.7	12.0	14.0	12.2	13.6	-	140
145	-	14.8	13.7	15.1	14.6	14.6	14.2	15.3	13.3	14.4	12.2	13.5	10.9	13.3	11.1	12.6	-	145
150	-	9.9	13.3	14.0	13.8	14.2	13.2	14.3	12.1	13.4	11.2	12.5	9.9	12.5	10.1	11.6	-	150
155	-	-	12.9	13.1	12.9	13.7	12.1	13.4	11.2	12.5	10.2	11.5	9.0	11.5	9.0	10.7	-	155
160	-	-	-	-	12.1	13.1	11.2	12.6	10.4	11.7	9.2	10.8	8.1	10.6	8.1	9.9	-	160
165	-	-	-	-	11.2	12.4	10.4	11.7	9.5	10.8	8.4	10.4	7.2	9.8	7.3	9.0	-	165
170	-	-	-	-	10.4	11.7	9.8	10.9	8.6	10.0	7.8	10.0	6.4	9.1	6.7	8.2	-	170
175	-	-	-	-	-	-	9.1	10.2	8.0	9.3	7.0	9.4	5.8	8.3	5.9	7.5	-	175
180	-	-	-	-	-	-	8.4	9.5	7.3	8.6	6.3	8.7	5.1	7.6	5.1	6.8	-	180
185	-	-	-	-	-	-	-	-	6.7	8.0	5.7	8.0	4.5	7.0	4.5	6.1	-	185
190	-	-	-	-	-	-	-	-	6.1	7.4	5.0	7.4	3.9	6.3	3.9	5.5	-	190
195	-	-	-	-	-	-	-	-	5.5	7.1	4.6	7.0	3.3	5.9	3.3	5.0	-	195
200	-	-	-	-	-	-	-	-	-	-	4.1	6.5	2.7	5.4	2.7	4.5	-	200
205	-	-	-	-	-	-	-	-	-	-	-	3.5	6.0	-	4.9	-	-	205
210	-	-	-	-	-	-	-	-	-	-	-	3.0	5.5	-	4.4	-	-	210
215	-	-	-	-	-	-	-	-	-	-	-	-	-	-	3.9	-	-	215
220	-	-	-	-	-	-	-	-	-	-	-	-	-	-	3.5	-	-	220

* with heavy lift attachment

** Max. values are valid only for specific superstructure positions

Operation

MB

44,100 lbs		30.55 ft x 27.2 ft		360° / Max.**								ASME B30.5						
 360° (ft)		Max.	360°	Max.	360°	Max.	360°	Max.	360°	Max.	360°	Max.	360°	Max.	360°	Max.		
ft		1,000 lbs																ft
9.8	305.7*	305.7*	208.9	208.9	208.9	208.9	188.9	188.9	168.8	168.8	148.3	148.3	127.8	127.8	-	-	9.8	
10	305.0*	305.7*	208.9	208.9	208.9	208.9	188.9	188.9	168.8	168.8	148.3	148.3	127.8	127.8	-	-	10	
12	297.5*	305.7*	208.9	208.9	208.9	208.9	188.9	188.9	168.8	168.8	148.3	148.3	127.8	127.8	-	-	12	
14	279.7*	290.9*	208.9	208.9	208.9	208.9	188.9	188.9	168.8	168.8	148.3	148.3	127.8	127.8	107.1	107.1	14	
16	249.2*	258.1*	208.9	208.9	208.9	208.9	188.9	188.9	168.8	168.8	148.3	148.3	127.8	127.8	107.1	107.1	16	
18	224.7*	229.8*	208.0	208.7	203.3	208.9	184.7	188.9	168.8	168.8	148.3	148.3	127.8	127.8	107.1	107.1	18	
20	202.6	203.9	203.6	205.6	194.0	206.0	177.5	187.8	166.1	168.8	146.9	148.3	127.4	127.8	107.1	107.1	20	
25	152.7	152.7	150.7	155.7	143.0	157.1	133.8	156.6	126.9	152.7	120.7	142.7	112.3	127.8	102.0	107.1	25	
30	107.2	107.3	112.4	112.7	109.3	114.7	106.1	114.5	102.0	116.4	98.1	114.7	92.5	112.0	87.0	104.3	30	
35	-	-	85.9	87.2	88.8	89.6	87.4	91.4	84.8	91.1	80.8	91.3	76.4	89.3	72.8	87.5	35	
40	-	-	68.3	70.1	71.4	73.4	72.7	74.1	71.1	74.9	67.8	74.1	64.4	72.7	61.3	71.3	40	
45	-	-	55.6	57.6	58.7	60.7	59.8	61.9	59.6	62.0	57.4	61.3	56.1	60.4	53.4	59.6	45	
50	-	-	-	-	49.3	51.3	50.4	52.6	50.5	52.6	49.9	52.6	49.0	52.0	46.7	51.6	50	
55	-	-	-	-	41.6	43.8	42.7	45.1	43.1	45.3	43.6	45.4	42.8	45.3	41.1	44.8	55	
60	-	-	-	-	-	-	36.5	39.0	37.3	39.6	37.9	39.3	37.4	39.6	36.7	38.8	60	
65	-	-	-	-	-	-	31.6	34.1	32.7	34.7	32.7	35.1	32.5	34.9	32.6	34.6	65	
70	-	-	-	-	-	-	27.7	30.2	28.8	31.2	28.8	31.3	29.1	31.0	28.9	31.0	70	
75	-	-	-	-	-	-	-	25.2	25.3	27.9	26.0	27.9	25.9	28.0	25.8	27.9	75	
80	-	-	-	-	-	-	-	-	22.4	24.9	24.0	25.0	22.9	25.6	23.4	25.1	80	
85	-	-	-	-	-	-	-	-	20.6	22.5	21.5	23.2	20.8	23.1	21.7	22.6	85	
90	-	-	-	-	-	-	-	-	18.6	20.8	19.3	21.7	19.1	20.8	19.5	21.2	90	
95	-	-	-	-	-	-	-	-	-	-	17.5	20.0	17.3	19.0	17.6	19.7	95	
100	-	-	-	-	-	-	-	-	-	-	15.8	18.2	15.5	17.7	15.8	18.2	100	
105	-	-	-	-	-	-	-	-	-	-	14.3	16.7	14.1	16.7	14.3	16.7	105	
110	-	-	-	-	-	-	-	-	-	-	-	-	12.7	15.2	12.9	15.3	110	
115	-	-	-	-	-	-	-	-	-	-	-	-	11.6	14.0	11.7	14.0	115	
120	-	-	-	-	-	-	-	-	-	-	-	-	-	12.1	10.6	12.8	120	
125	-	-	-	-	-	-	-	-	-	-	-	-	-	-	9.6	11.8	125	
130	-	-	-	-	-	-	-	-	-	-	-	-	-	-	8.6	11.0	130	
135	-	-	-	-	-	-	-	-	-	-	-	-	-	-	-	9.8	135	

* with heavy lift attachment

** Max. values are valid only for specific superstructure positions

Operation



44,100 lbs		30.55 ft x 27.2 ft		360° / Max.**				ASME B30.5									
360° (ft)	Max.	360°	Max.	360°	Max.	360°	Max.	360°	Max.	360°	Max.	360°	Max.	360°	Max.		
156.2	156.2	170.0	170.0	183.8	183.8	197.5	197.5	211.3	211.3	225.1	225.1	238.9	238.9	259.3	259.3		
ft	1,000 lbs														ft		
14	92.4	92.4	-	-	-	-	-	-	-	-	-	-	-	-	-	14	
16	94.0	94.0	-	-	-	-	-	-	-	-	-	-	-	-	-	16	
18	94.3	94.3	74.7	74.7	58.3	58.3	-	-	-	-	-	-	-	-	-	18	
20	94.3	94.3	74.7	74.7	60.1	60.1	48.9	48.9	-	-	-	-	-	-	-	20	
25	92.1	94.3	74.7	74.7	60.1	60.1	48.9	48.9	39.2	39.2	32.4	32.4	-	-	-	25	
30	81.2	93.9	73.3	74.7	60.1	60.1	48.9	48.9	39.2	39.2	32.4	32.4	26.2	26.2	-	30	
35	68.7	84.8	64.7	74.7	58.4	60.1	48.9	48.9	39.2	39.2	32.4	32.4	26.2	26.2	21.1	21.6	35
40	59.4	69.9	56.0	68.2	52.8	59.6	48.3	48.9	39.2	39.2	32.4	32.4	26.2	26.2	21.1	21.6	40
45	51.3	59.2	49.4	57.8	46.7	55.4	43.6	48.9	39.2	39.2	32.4	32.4	26.2	26.2	21.1	21.6	45
50	45.1	51.0	43.5	49.9	41.4	48.7	39.3	45.9	36.6	39.2	32.4	32.4	26.2	26.2	21.1	21.6	50
55	40.0	44.4	38.6	43.5	36.8	42.4	35.0	41.5	33.3	38.0	30.9	32.4	26.2	26.2	21.1	21.6	55
60	35.5	39.1	34.5	38.4	32.9	37.5	31.0	36.7	29.9	35.3	27.9	32.1	25.7	26.2	21.1	21.6	60
65	32.1	34.5	30.4	33.8	29.5	33.9	29.3	32.9	27.4	31.7	25.4	30.1	23.2	26.2	21.1	21.6	65
70	28.6	31.1	27.8	30.3	27.3	30.0	26.3	29.1	24.4	28.8	22.6	28.0	20.6	26.1	19.5	21.6	70
75	25.9	27.9	25.7	27.1	24.9	27.0	23.5	26.6	21.7	26.1	20.0	25.8	18.1	24.9	17.4	21.6	75
80	23.6	24.9	23.6	24.5	22.3	24.9	21.0	24.7	19.3	23.6	17.7	23.4	15.8	22.8	15.1	21.1	80
85	21.2	22.5	21.1	23.2	20.1	22.8	18.8	22.2	17.2	21.4	15.7	21.2	13.7	20.0	13.3	19.2	85
90	19.0	21.3	18.8	21.2	17.9	20.6	17.0	19.9	15.4	19.7	13.9	19.0	12.0	17.9	11.6	17.1	90
95	17.1	19.6	16.9	19.3	16.0	18.7	15.3	18.1	13.7	18.0	12.2	17.1	10.4	16.0	10.0	15.1	95
100	15.3	17.7	15.1	17.5	14.2	16.9	13.6	16.7	12.3	16.2	10.8	15.3	9.0	14.2	8.6	13.3	100
105	13.6	16.3	13.4	16.0	12.7	15.4	11.9	15.6	11.0	14.5	9.4	13.6	7.9	12.5	7.4	11.9	105
110	12.3	14.9	12.0	14.5	11.4	13.9	10.5	14.1	9.6	13.1	8.2	12.3	6.7	11.2	6.2	10.5	110
115	11.1	13.5	10.8	13.3	10.2	12.8	9.3	12.8	8.2	11.9	7.2	11.1	5.5	10.0	5.2	9.1	115
120	9.9	12.3	9.7	12.1	9.0	12.0	8.1	11.6	7.0	10.8	6.2	9.9	4.5	8.8	4.2	7.9	120
125	8.9	11.4	8.7	11.1	7.8	11.1	7.1	10.4	6.0	9.8	5.1	8.9	3.6	7.8	3.2	6.9	125
130	8.1	10.7	7.7	10.1	7.0	10.3	6.1	9.6	5.2	8.8	4.1	7.9	2.8	6.8	2.4	6.1	130
135	7.3	9.8	6.8	9.3	6.2	9.5	5.4	8.7	4.4	7.9	3.3	7.1	-	6.0	-	5.3	135
140	6.5	8.9	6.0	8.6	5.3	8.6	4.6	7.8	3.6	7.0	-	6.2	-	5.2	-	4.4	140
145	-	8.2	5.4	8.0	4.5	7.8	3.8	7.1	2.9	6.2	-	5.4	-	4.5	-	3.6	145
150	-	7.5	4.7	7.3	4.0	7.1	3.1	6.4	2.3	5.6	-	4.7	-	3.7	-	2.9	150
155	-	-	4.2	6.5	3.3	6.4	2.6	5.8	-	5.1	-	4.2	-	3.1	-	-	155
160	-	-	-	-	2.8	5.9	-	5.2	-	4.5	-	3.6	-	-	-	-	160
165	-	-	-	-	2.4	5.3	-	4.7	-	3.8	-	2.9	-	-	-	-	165
170	-	-	-	-	-	4.0	-	4.2	-	3.4	-	2.5	-	-	-	-	170
175	-	-	-	-	-	-	-	3.7	-	2.8	-	-	-	-	-	-	175
180	-	-	-	-	-	-	-	3.1	-	2.4	-	-	-	-	-	-	180
184	-	-	-	-	-	-	-	2.6	-	2.2	-	-	-	-	-	-	184

* with heavy lift attachment

** Max. values are valid only for specific superstructure positions

Operation

MB

0 lbs		30.55 ft x 27.2 ft								360° / Max.**				ASME B30.5				
		360°	Max.	360°	Max.	360°	Max.	360°	Max.	360°	Max.	360°	Max.	360°	Max.	360°	Max.	
(ft)		44.4	44.4	58.2	58.2	73.5	73.5	87.3	87.3	101.1	101.1	114.9	114.9	128.6	128.6	142.4	142.4	ft
ft		1,000 lbs																ft
9.8	305.7*	305.7*	208.9	208.9	208.9	208.9	188.9	188.9	168.8	168.8	148.3	148.3	127.8	127.8	-	-	9.8	
10	303.7*	304.4*	208.9	208.9	208.9	208.9	188.9	188.9	168.8	168.8	148.3	148.3	127.8	127.8	-	-	10	
12	283.2*	291.8*	208.9	208.9	208.9	208.9	188.9	188.9	168.8	168.8	148.3	148.3	127.8	127.8	-	-	12	
14	254.4*	268.4*	202.3	208.9	198.8	208.9	180.0	188.9	161.9	168.8	143.6	148.3	125.3	127.8	106.8	107.1	14	
16	215.4*	232.1*	187.6	208.9	176.4	208.9	160.3	188.9	146.6	168.8	133.2	148.3	119.7	127.8	106.1	107.1	16	
18	176.8	193.5	161.5	189.5	151.1	190.9	139.8	180.3	129.7	168.8	118.7	148.3	107.8	127.8	97.3	107.1	18	
20	140.8	155.9	134.1	164.4	126.5	167.3	120.0	167.0	112.8	164.8	103.6	146.1	94.8	127.0	86.8	107.1	20	
25	91.4	95.8	91.5	103.4	89.3	107.6	85.2	109.3	80.0	109.3	74.6	108.5	71.2	105.4	66.9	99.0	25	
30	60.4	65.5	64.5	72.2	64.6	76.3	62.8	78.1	60.8	78.3	58.2	77.5	55.2	76.6	53.1	75.5	30	
35	-	-	47.8	54.3	49.7	58.0	49.1	59.6	48.4	60.2	46.5	60.3	44.9	60.3	44.0	59.3	35	
40	-	-	35.3	42.4	39.2	45.6	39.2	47.4	39.2	48.7	39.7	48.8	38.2	48.6	36.9	48.3	40	
45	-	-	26.7	33.7	30.2	36.8	31.7	38.4	33.0	39.7	33.1	40.1	31.9	40.5	31.0	40.0	45	
50	-	-	-	-	24.3	30.4	26.5	31.8	27.7	33.4	27.9	34.5	27.1	34.6	26.4	34.7	50	
55	-	-	-	-	19.5	25.3	22.1	27.1	23.0	28.6	23.6	29.9	23.1	29.8	22.5	30.1	55	
60	-	-	-	-	-	-	18.1	23.8	19.0	24.7	19.9	25.6	19.7	25.8	19.3	25.8	60	
65	-	-	-	-	-	-	14.9	20.4	15.8	21.3	16.7	22.0	16.7	22.2	16.6	22.4	65	
70	-	-	-	-	-	-	12.4	17.7	13.2	18.6	14.1	19.2	14.2	19.4	14.4	19.7	70	
75	-	-	-	-	-	-	-	15.5	11.1	16.2	11.8	17.0	12.0	17.1	12.3	17.3	75	
80	-	-	-	-	-	-	-	-	9.2	14.1	9.9	15.1	10.1	15.1	10.3	15.1	80	
85	-	-	-	-	-	-	-	-	7.5	12.4	8.4	13.3	8.4	13.3	8.6	13.3	85	
90	-	-	-	-	-	-	-	-	6.3	11.0	7.1	11.8	7.1	11.8	7.3	11.8	90	
95	-	-	-	-	-	-	-	-	-	-	5.9	10.3	5.8	10.3	6.0	10.5	95	
100	-	-	-	-	-	-	-	-	-	-	4.9	9.1	4.7	9.1	4.9	9.3	100	
105	-	-	-	-	-	-	-	-	-	-	3.9	8.1	3.9	8.1	3.9	8.1	105	
110	-	-	-	-	-	-	-	-	-	-	-	-	3.1	7.1	3.1	7.1	110	
115	-	-	-	-	-	-	-	-	-	-	-	-	-	6.2	-	6.3	115	
120	-	-	-	-	-	-	-	-	-	-	-	-	-	5.4	-	5.6	120	
125	-	-	-	-	-	-	-	-	-	-	-	-	-	-	-	4.8	125	
130	-	-	-	-	-	-	-	-	-	-	-	-	-	-	-	4.1	130	
135	-	-	-	-	-	-	-	-	-	-	-	-	-	-	-	3.6	135	

* with heavy lift attachment

** Max. values are valid only for specific superstructure positions

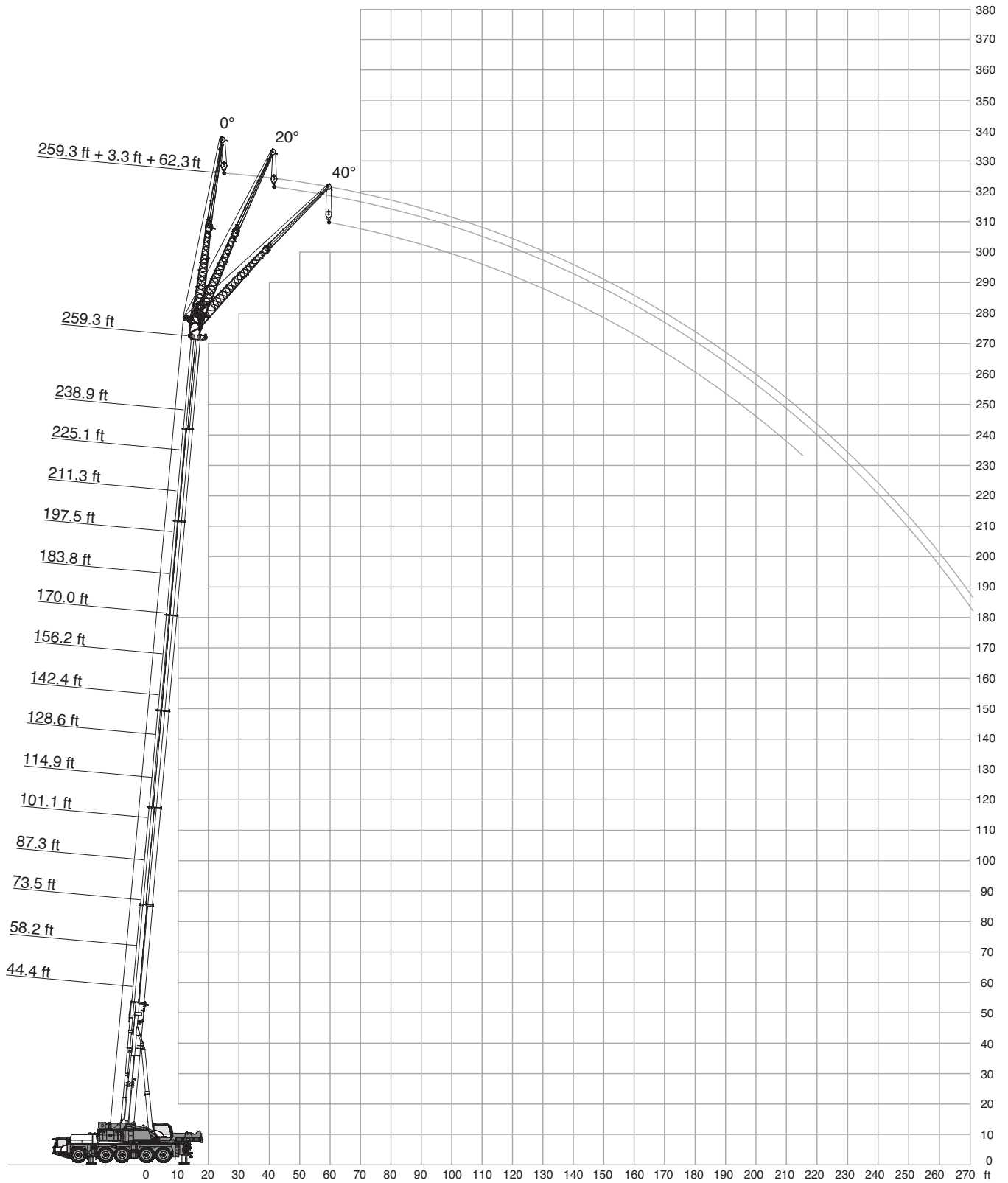
Operation

MB

0 lbs		30.55 ft x 27.2 ft								360° / Max.**				ASME B30.5				
		360°	Max.	360°	Max.	360°	Max.	360°	Max.	360°	Max.	360°	Max.	360°	Max.	360°	Max.	
(ft)		156.2	156.2	170.0	170.0	183.8	183.8	197.5	197.5	211.3	211.3	225.1	225.1	238.9	238.9	259.3	259.3	
ft		1,000 lbs																ft
14	91.7	92.4	-	-	-	-	-	-	-	-	-	-	-	-	-	-	-	14
16	91.7	94.0	-	-	-	-	-	-	-	-	-	-	-	-	-	-	-	16
18	85.1	94.3	72.5	74.7	58.3	58.3	-	-	-	-	-	-	-	-	-	-	-	18
20	77.1	94.3	69.3	74.7	59.6	60.1	48.9	48.9	-	-	-	-	-	-	-	-	-	20
25	61.9	90.7	56.8	74.7	51.1	60.1	46.0	48.9	39.2	39.2	32.4	32.4	-	-	-	-	-	25
30	50.2	74.1	47.0	69.0	43.2	59.9	38.8	48.9	34.9	39.2	31.9	32.4	26.2	26.2	-	-	-	30
35	41.8	58.3	39.8	57.0	36.8	54.5	34.1	48.9	31.2	39.2	28.6	32.4	25.6	26.2	21.1	21.6	35	
40	35.0	47.6	33.2	46.7	31.1	45.8	28.9	43.5	26.5	38.7	24.1	32.4	21.5	26.2	20.2	21.6	40	
45	29.2	39.7	27.8	38.8	25.8	37.9	24.0	36.9	21.8	35.0	19.7	32.0	17.3	26.2	16.3	21.6	45	
50	24.8	34.3	23.6	33.9	21.9	33.0	20.1	32.7	18.2	31.2	16.2	29.3	13.9	25.9	13.1	21.6	50	
55	21.1	29.7	20.1	29.4	18.5	29.0	16.8	28.6	15.1	27.4	13.2	26.0	11.1	24.3	10.4	21.1	55	
60	18.0	25.4	17.1	25.2	15.6	25.3	14.1	24.5	12.3	23.6	10.6	22.5	8.6	21.4	8.1	19.7	60	
65	15.5	22.0	14.6	22.2	13.3	21.7	11.9	21.1	10.2	20.2	8.5	19.1	6.5	18.0	6.1	17.0	65	
70	13.4	19.2	12.5	19.4	11.2	19.0	9.9	18.3	8.2	17.5	6.7	16.4	4.8	15.3	4.4	14.4	70	
75	11.5	16.8	10.7	17.0	9.4	16.6	8.1	15.9	6.6	15.1	5.1	14.0	3.4	12.9	-	12.0	75	
80	9.7	14.7	9.1	14.9	7.7	14.4	6.6	13.8	5.2	12.9	3.8	12.0	-	10.8	-	9.8	80	
85	8.2	12.8	7.8	13.1	6.4	12.6	5.3	12.0	4.0	11.1	2.5	10.2	-	9.1	-	7.8	85	
90	6.8	11.3	6.4	11.6	5.2	11.1	4.1	10.5	2.8	9.6	-	8.7	-	7.6	-	5.9	90	
95	5.6	10.0	5.3	10.1	4.2	9.8	3.1	9.0	-	8.2	-	7.4	-	6.1	-	4.4	95	
100	4.5	8.8	4.3	8.8	3.2	8.6	-	7.8	-	7.0	-	6.2	-	4.8	-	-	100	
105	3.5	7.7	3.3	7.7	2.4	7.4	-	6.8	-	5.9	-	5.0	-	3.7	-	-	105	
110	2.7	6.6	2.5	6.9	-	6.4	-	5.8	-	5.1	-	4.0	-	2.7	-	-	110	
115	-	5.7	-	6.0	-	5.5	-	4.9	-	4.2	-	3.2	-	-	-	-	115	
120	-	5.0	-	5.2	-	4.7	-	4.1	-	3.4	-	-	-	-	-	-	120	
125	-	4.4	-	4.4	-	4.1	-	3.5	-	-	-	-	-	-	-	-	125	
130	-	3.7	-	3.7	-	3.4	-	2.8	-	-	-	-	-	-	-	-	130	
135	-	3.1	-	3.1	-	2.8	-	-	-	-	-	-	-	-	-	-	135	
140	-	2.6	-	2.6	-	-	-	-	-	-	-	-	-	-	-	-	140	
144	-	2.2	-	2.2	-	-	-	-	-	-	-	-	-	-	-	-	144	

* with heavy lift attachment

** Max. values are valid only for specific superstructure positions



Operation

176,400 lbs		30.55 ft x 27.2 ft			3.3 ft + 62.3 ft			360°			ASME B30.5		
ft	44.4 ft			58.2 ft			73.5 ft			87.3 ft			ft
	0°	20°	40°	0°	20°	40°	0°	20°	40°	0°	20°	40°	
1,000 lbs													
16.4	18.2	-	-	-	-	-	-	-	-	-	-	-	16.4
17	18.2	-	-	-	-	-	-	-	-	-	-	-	17
19	18.2	-	-	-	-	-	-	-	-	-	-	-	19
21	18.2	-	-	18.9	-	-	-	-	-	-	-	-	21
26	18.0	-	-	18.7	-	-	18.5	-	-	17.6	-	-	26
31	17.0	-	-	17.7	-	-	18.2	-	-	17.6	-	-	31
36	15.8	14.1	-	16.7	14.5	-	17.1	14.5	-	17.6	-	-	36
41	14.9	13.3	-	15.7	13.6	-	16.4	13.9	-	16.8	13.9	-	41
46	14.1	12.5	-	14.9	13.0	-	15.6	13.2	-	16.0	13.4	-	46
51	13.3	11.8	-	14.1	12.3	-	14.8	12.5	-	15.4	12.7	-	51
56	12.4	11.2	9.7	13.4	11.6	10.0	14.0	11.9	10.1	14.7	12.2	10.1	56
61	11.6	10.6	9.3	12.7	11.0	9.6	13.3	11.4	9.8	14.0	11.7	9.8	61
66	11.0	10.1	9.0	12.0	10.5	9.2	12.7	11.0	9.4	13.4	11.2	9.7	66
71	10.4	9.5	8.8	11.4	10.0	9.0	12.2	10.4	9.1	12.8	10.9	9.3	71
76	9.9	9.2	8.5	10.8	9.6	8.7	11.6	10.1	8.9	12.3	10.5	9.1	76
81	9.5	8.8	8.2	10.3	9.3	8.4	11.1	9.7	8.7	11.9	10.2	8.8	81
86	8.9	8.5	-	9.8	8.9	8.3	10.7	9.4	8.5	11.3	9.8	8.5	86
91	8.6	8.2	-	9.3	8.6	8.1	10.2	9.1	8.3	10.9	9.5	8.3	91
96	8.2	8.0	-	8.9	8.4	8.1	9.8	8.9	8.2	10.5	9.1	8.2	96
101	-	-	-	8.7	8.2	-	9.5	8.6	8.0	10.1	8.9	8.1	101
106	-	-	-	8.4	-	-	9.1	8.3	-	9.6	8.7	8.1	106
111	-	-	-	8.1	-	-	8.8	8.1	-	9.2	8.3	7.9	111
116	-	-	-	-	-	-	8.5	8.0	-	9.1	8.2	7.9	116
121	-	-	-	-	-	-	8.2	6.4	-	8.8	8.0	-	121
126	-	-	-	-	-	-	-	-	-	8.5	7.9	-	126
131	-	-	-	-	-	-	-	-	-	8.3	7.9	-	131
136	-	-	-	-	-	-	-	-	-	8.2	5.4	-	136

Operation

176,400 lbs		30.55 ft x 27.2 ft			3.3 ft + 62.3 ft			360°			ASME B30.5		
ft	101.1 ft			114.9 ft			128.6 ft			142.4 ft			ft
	0°	20°	40°	0°	20°	40°	0°	20°	40°	0°	20°	40°	
1,000 lbs													
31	17.1	-	-	16.7	-	-	16.3	-	-	-	-	-	31
36	17.1	-	-	16.7	-	-	16.3	-	-	15.2	-	-	36
41	16.9	13.9	-	16.6	13.9	-	16.3	13.7	-	15.2	13.3	-	41
46	16.3	13.4	-	16.3	13.4	-	16.3	13.2	-	15.2	13.0	-	46
51	15.6	12.9	-	15.8	12.9	-	15.8	12.8	-	15.2	12.6	-	51
56	15.0	12.4	-	15.1	12.5	-	15.2	12.4	-	14.9	12.3	-	56
61	14.4	11.9	9.8	14.5	12.1	10.0	14.7	12.0	9.8	14.5	12.0	9.7	61
66	13.8	11.4	9.7	14.1	11.6	9.7	14.3	11.6	9.7	14.1	11.6	9.7	66
71	13.3	11.1	9.3	13.5	11.3	9.5	13.7	11.3	9.5	13.7	11.3	9.3	71
76	12.8	10.7	9.1	13.2	11.0	9.2	13.2	11.0	9.2	13.4	11.0	9.1	76
81	12.3	10.4	8.9	12.8	10.6	8.9	12.8	10.6	8.9	13.0	10.7	8.9	81
86	11.8	10.1	8.8	12.3	10.3	8.8	12.5	10.3	8.8	12.5	10.5	8.8	86
91	11.5	9.8	8.5	12.0	10.0	8.5	12.2	10.1	8.5	12.2	10.2	8.5	91
96	11.0	9.4	8.4	11.5	9.6	8.4	11.8	9.8	8.4	11.8	9.8	8.4	96
101	10.6	9.1	8.2	11.0	9.3	8.2	11.4	9.6	8.3	11.5	9.6	8.3	101
106	10.2	9.0	8.1	10.7	9.2	8.1	11.1	9.3	8.3	11.3	9.4	8.3	106
111	9.9	8.8	7.9	10.3	9.0	8.1	10.8	9.0	8.1	11.0	9.2	8.1	111
116	9.6	8.6	7.9	10.0	8.7	8.0	10.5	8.9	8.0	10.7	9.1	8.0	116
121	9.2	8.3	7.9	9.8	8.4	7.9	10.1	8.7	7.9	10.4	8.8	7.9	121
126	9.0	8.1	-	9.6	8.3	7.9	9.9	8.5	7.9	10.2	8.5	7.9	126
131	8.8	8.1	-	9.2	8.1	7.7	9.7	8.3	7.7	9.9	8.5	7.7	131
136	8.6	8.0	-	9.1	8.1	7.7	9.3	8.2	7.7	9.8	8.4	7.7	136
141	8.3	7.8	-	8.8	8.0	-	9.1	8.0	7.7	9.5	8.2	7.6	141
146	8.1	-	-	8.5	7.9	-	9.0	7.9	-	9.2	8.1	7.4	146
151	-	-	-	8.3	7.7	-	8.8	7.9	-	9.0	7.9	7.4	151
156	-	-	-	8.1	7.7	-	8.6	7.7	-	8.8	7.7	7.4	156
161	-	-	-	8.0	-	-	8.4	7.7	-	8.6	7.7	-	161
166	-	-	-	6.7	-	-	8.2	7.6	-	8.4	7.6	-	166
171	-	-	-	-	-	-	8.1	-	-	8.3	7.4	-	171
176	-	-	-	-	-	-	7.9	-	-	8.1	7.4	-	176
181	-	-	-	-	-	-	7.9	-	-	8.0	7.4	-	181
186	-	-	-	-	-	-	-	-	-	7.9	-	-	186
191	-	-	-	-	-	-	-	-	-	7.9	-	-	191
196	-	-	-	-	-	-	-	-	-	7.7	-	-	196

Operation

176,400 lbs		30.55 ft x 27.2 ft			3.3 ft + 62.3 ft			360°			ASME B30.5		
ft	156.2 ft			170.0 ft			183.8 ft			197.5 ft			ft
	0°	20°	40°	0°	20°	40°	0°	20°	40°	0°	20°	40°	
1,000 lbs													
36	14.7	-	-	-	-	-	-	-	-	-	-	-	36
41	14.7	-	-	13.4	-	-	12.5	-	-	-	-	-	41
46	14.7	12.5	-	13.4	12.3	-	12.5	11.6	-	11.2	-	-	46
51	14.7	12.2	-	13.4	12.0	-	12.5	11.4	-	11.2	-	-	51
56	14.5	12.0	-	13.4	11.6	-	12.5	11.2	-	11.2	10.6	-	56
61	14.2	11.8	-	13.4	11.3	-	12.5	10.9	-	11.2	10.4	-	61
66	13.8	11.4	9.4	13.4	11.2	9.4	12.5	10.8	-	11.2	10.3	-	66
71	13.5	11.1	9.2	13.1	10.9	9.2	12.5	10.6	-	11.2	10.1	-	71
76	13.2	10.9	9.1	12.7	10.6	9.1	12.3	10.3	8.9	11.2	10.0	8.9	76
81	12.8	10.6	8.9	12.4	10.4	8.9	12.0	10.0	8.7	11.2	9.8	8.7	81
86	12.5	10.3	8.8	12.3	10.3	8.8	11.9	9.9	8.5	11.2	9.7	8.5	86
91	12.2	10.1	8.5	12.0	10.0	8.5	11.6	9.7	8.5	11.0	9.4	8.3	91
96	11.8	9.8	8.4	11.7	9.8	8.4	11.3	9.5	8.4	10.9	9.3	8.2	96
101	11.5	9.6	8.3	11.4	9.6	8.2	11.1	9.3	8.2	10.7	9.1	8.1	101
106	11.3	9.4	8.3	11.2	9.4	8.1	11.0	9.2	8.1	10.5	9.0	8.1	106
111	11.0	9.2	8.1	11.0	9.2	8.1	10.8	9.0	7.9	10.3	8.8	7.9	111
116	10.9	9.1	8.0	10.7	9.1	8.0	10.5	8.9	7.9	10.2	8.8	7.8	116
121	10.6	8.9	7.9	10.4	8.9	7.8	10.2	8.7	7.8	10.0	8.7	7.7	121
126	10.3	8.7	7.9	10.3	8.7	7.7	10.1	8.5	7.7	9.9	8.5	7.6	126
131	10.1	8.5	7.7	10.1	8.5	7.7	9.9	8.5	7.7	9.7	8.3	7.4	131
136	9.8	8.4	7.7	10.0	8.4	7.5	9.8	8.4	7.5	9.5	8.2	7.4	136
141	9.6	8.2	7.6	9.8	8.2	7.4	9.6	8.2	7.4	9.3	8.1	7.3	141
146	9.4	8.1	7.4	9.6	8.1	7.4	9.4	8.1	7.4	9.2	8.1	7.2	146
151	9.2	7.9	7.4	9.2	7.9	7.2	9.2	7.9	7.2	9.0	7.9	7.2	151
156	9.0	7.9	7.2	9.0	7.9	7.2	9.0	7.7	7.2	9.0	7.7	7.0	156
161	8.9	7.8	7.2	8.9	7.8	7.2	9.0	7.7	7.1	8.9	7.7	7.0	161
166	8.7	7.6	-	8.7	7.6	7.2	8.9	7.6	7.0	8.7	7.6	7.0	166
171	8.5	7.4	-	8.5	7.4	7.2	8.8	7.4	7.0	8.5	7.4	7.0	171
176	8.3	7.4	-	8.3	7.4	7.0	8.6	7.4	7.0	8.3	7.2	6.8	176
181	8.2	7.4	-	8.3	7.3	-	8.4	7.3	7.0	8.3	7.2	6.8	181
186	8.0	7.3	-	8.2	7.2	-	8.2	7.2	-	8.2	7.2	6.8	186
191	7.9	7.2	-	8.1	7.2	-	8.1	7.2	-	8.1	7.2	-	191
196	7.9	7.2	-	7.9	7.2	-	7.9	7.0	-	7.9	7.0	-	196
201	7.8	-	-	7.9	7.2	-	7.9	7.0	-	7.9	7.0	-	201
206	7.7	-	-	7.8	7.1	-	7.8	7.0	-	7.8	6.9	-	206
211	-	-	-	7.7	-	-	7.7	7.0	-	7.7	6.8	-	211
216	-	-	-	7.7	-	-	7.7	7.0	-	7.7	6.8	-	216
221	-	-	-	7.5	-	-	7.5	-	-	7.5	6.8	-	221
226	-	-	-	-	-	-	7.4	-	-	7.3	6.8	-	226
231	-	-	-	-	-	-	7.4	-	-	7.2	-	-	231
236	-	-	-	-	-	-	7.4	-	-	7.2	-	-	236
241	-	-	-	-	-	-	-	-	-	6.9	-	-	241
246	-	-	-	-	-	-	-	-	-	6.6	-	-	246

Operation

FOJ

176,400 lbs		30.55 ft x 27.2 ft			3.3 ft + 62.3 ft			360°			ASME B30.5		
ft	211.3 ft			225.1 ft			238.9 ft			259.3 ft			ft
	0°	20°	40°	0°	20°	40°	0°	20°	40°	0°	20°	40°	
1,000 lbs													
46	10.1	-	-	-	-	-	-	-	-	-	-	-	46
51	10.1	-	-	-	-	-	-	-	-	-	-	-	51
56	10.1	10.1	-	9.0	-	-	-	-	-	-	-	-	56
61	10.1	10.0	-	9.0	9.0	-	7.9	7.9	-	-	-	-	61
66	10.1	9.9	-	9.0	9.0	-	7.9	7.9	-	7.2	7.2	-	66
71	10.1	9.7	-	9.0	9.0	-	7.9	7.9	-	7.2	7.2	-	71
76	10.1	9.5	-	9.0	9.0	-	7.9	7.9	-	7.2	7.2	-	76
81	10.1	9.3	8.4	9.0	8.9	8.2	7.9	7.9	-	7.2	7.2	-	81
86	10.1	9.2	8.3	9.0	8.8	8.1	7.9	7.9	7.9	7.2	7.2	-	86
91	10.1	9.0	8.3	9.0	8.5	8.1	7.9	7.9	7.7	7.2	7.2	-	91
96	10.1	8.9	8.2	9.0	8.4	8.0	7.9	7.9	7.7	7.2	7.2	7.2	96
101	10.1	8.8	8.0	9.0	8.3	7.8	7.9	7.9	7.6	7.2	7.2	7.2	101
106	10.1	8.8	7.9	9.0	8.3	7.7	7.9	7.9	7.4	7.2	7.2	7.2	106
111	9.9	8.5	7.7	9.0	8.1	7.7	7.9	7.7	7.4	7.2	7.2	7.2	111
116	9.8	8.4	7.7	9.0	8.1	7.5	7.9	7.7	7.3	7.2	7.2	7.1	116
121	9.6	8.3	7.6	9.0	8.0	7.4	7.9	7.6	7.1	7.2	7.1	7.0	121
126	9.4	8.3	7.4	9.0	7.9	7.4	7.9	7.4	7.0	7.2	7.0	7.0	126
131	9.2	8.1	7.4	8.8	7.9	7.2	7.9	7.4	6.8	7.2	7.0	6.8	131
136	9.2	8.0	7.3	8.8	7.8	7.2	7.9	7.3	6.7	7.2	7.0	6.7	136
141	9.1	7.9	7.2	8.7	7.7	7.1	7.9	7.1	6.5	7.2	6.9	6.5	141
146	9.0	7.9	7.2	8.5	7.6	7.0	7.9	7.0	6.3	7.2	6.8	6.3	146
151	8.8	7.7	7.0	8.3	7.4	7.0	7.9	6.8	6.1	7.2	6.8	6.1	151
156	8.6	7.7	7.0	8.3	7.4	6.8	7.9	6.6	5.9	7.2	6.8	6.1	156
161	8.5	7.5	7.0	8.2	7.3	6.8	7.8	6.4	5.9	7.2	6.7	6.0	161
166	8.4	7.4	6.9	8.1	7.2	6.8	7.5	6.2	5.8	7.2	6.5	5.8	166
171	8.3	7.4	6.8	8.1	7.2	6.8	7.2	6.1	5.7	7.2	6.3	5.7	171
176	8.3	7.2	6.8	7.9	7.0	6.6	7.0	5.9	5.5	7.0	6.1	5.7	176
181	8.2	7.2	6.8	7.9	7.0	6.6	6.9	5.9	5.5	6.8	6.1	5.6	181
186	8.0	7.1	6.7	7.8	7.0	6.6	6.7	5.8	5.4	6.5	6.0	5.5	186
191	7.9	7.0	6.6	7.7	7.0	6.6	6.6	5.7	5.2	6.3	5.9	5.5	191
196	7.9	7.0	6.6	7.7	6.8	6.6	6.3	5.5	5.2	6.1	5.7	5.2	196
201	7.8	6.9	-	7.5	6.8	6.4	6.2	5.3	5.1	5.8	5.6	5.2	201
206	7.7	6.8	-	7.4	6.7	6.3	6.0	5.2	5.0	5.6	5.5	5.1	206
211	7.7	6.8	-	7.4	6.6	-	5.9	5.2	5.0	5.5	5.5	5.0	211
216	7.7	6.8	-	7.4	6.6	-	5.7	5.0	4.8	5.2	5.2	5.0	216
221	7.5	6.7	-	7.3	6.6	-	5.6	5.0	-	5.1	5.1	4.9	221
226	7.2	6.6	-	7.0	6.5	-	5.4	4.9	-	4.9	4.9	-	226
231	7.0	6.6	-	6.7	6.3	-	5.2	4.8	-	4.8	4.8	-	231
236	6.8	6.6	-	6.1	6.3	-	5.0	4.6	-	4.6	4.6	-	236
241	6.7	6.6	-	5.7	6.2	-	5.0	4.6	-	4.5	4.5	-	241
246	6.4	-	-	5.2	5.8	-	4.9	4.6	-	4.3	4.3	-	246
251	5.9	-	-	4.7	5.3	-	4.7	4.5	-	4.0	4.0	-	251
256	5.5	-	-	4.4	-	-	4.6	4.4	-	3.9	3.9	-	256
261	5.1	-	-	4.4	-	-	4.2	4.4	-	3.7	3.7	-	261
266	-	-	-	4.3	-	-	3.9	-	-	3.5	3.6	-	266
271	-	-	-	4.2	-	-	3.6	-	-	3.1	3.4	-	271
276	-	-	-	-	-	-	3.3	-	-	-	-	-	276
281	-	-	-	-	-	-	2.9	-	-	-	-	-	281
286	-	-	-	-	-	-	2.6	-	-	-	-	-	286
288.7	-	-	-	-	-	-	2.4	-	-	-	-	-	288.7

Operation

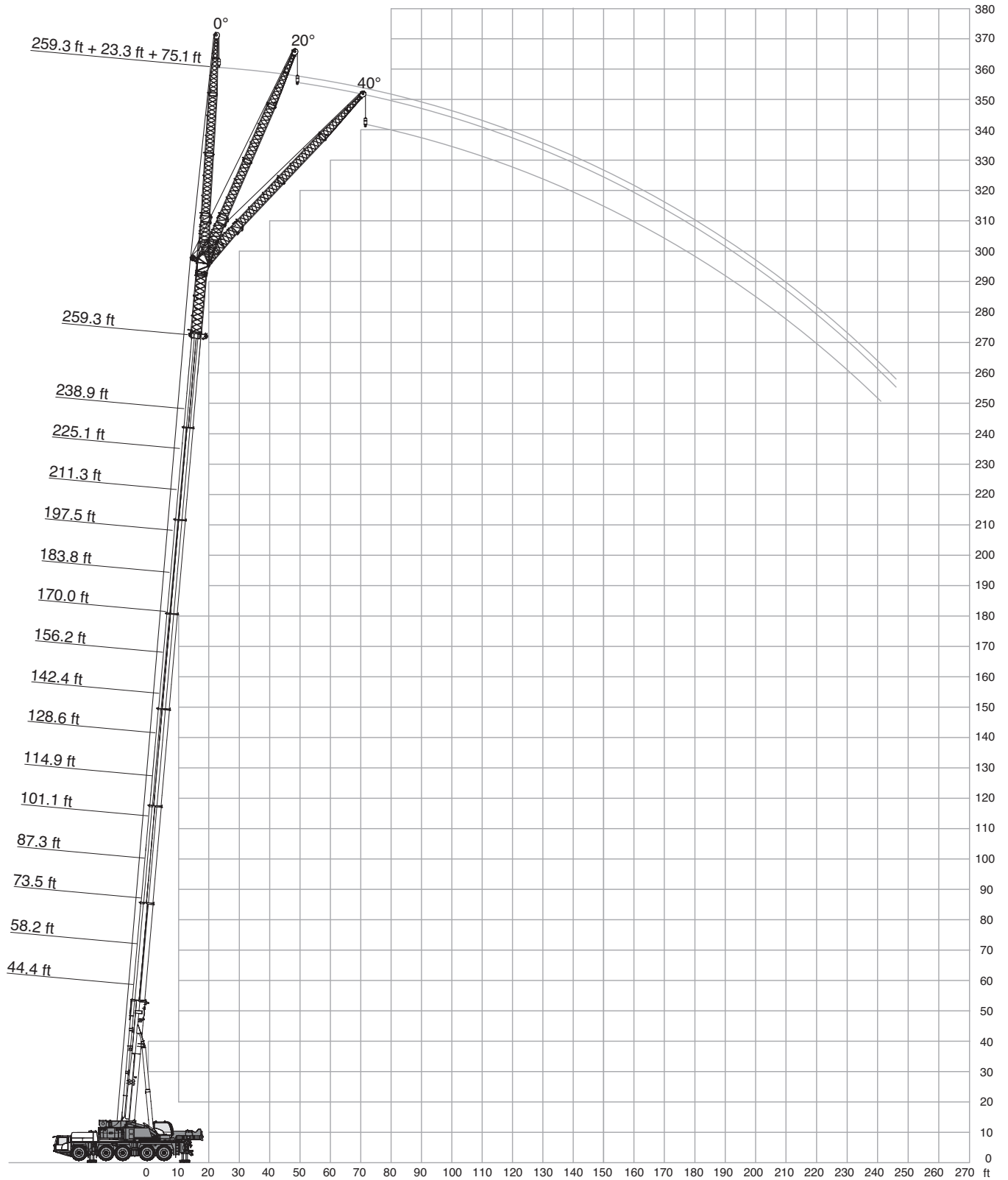
176,400 lbs		30.55 ft x 27.2 ft			3.3 ft + 32.8 ft			360°			ASME B30.5		
ft	44.4 ft			58.2 ft			73.5 ft			87.3 ft			ft
	0°	20°	40°	0°	20°	40°	0°	20°	40°	0°	20°	40°	
1,000 lbs													
9.8	43.4	-	-	43.4	-	-	43.4	-	-	-	-	-	9.8
10	43.4	-	-	43.4	-	-	43.4	-	-	-	-	-	10
12	43.4	-	-	43.4	-	-	43.4	-	-	-	-	-	12
14	43.4	43.3	-	43.4	43.4	-	43.4	-	-	43.4	-	-	14
16	43.4	43.2	-	43.4	43.4	-	43.4	-	-	43.4	-	-	16
18	43.4	41.7	-	43.4	42.6	-	43.4	43.3	-	43.4	43.4	-	18
20	43.4	39.8	-	43.4	41.6	-	43.4	43.0	-	43.4	43.3	-	20
25	43.4	35.8	28.0	43.4	38.0	-	43.4	39.6	-	43.4	40.9	-	25
30	43.1	32.7	26.3	43.4	34.9	27.2	43.4	36.7	27.6	43.4	37.9	28.1	30
35	39.4	30.2	24.9	43.4	32.4	25.8	43.4	34.2	26.5	43.4	35.5	26.9	35
40	35.3	28.0	23.9	40.9	30.2	24.8	43.2	32.2	25.4	43.4	33.5	26.1	40
45	31.9	26.0	22.9	37.0	28.2	23.7	41.3	30.1	24.4	43.4	31.6	25.1	45
50	29.1	24.5	21.7	33.9	26.7	22.8	38.2	28.5	23.6	41.5	30.1	24.3	50
55	26.5	23.0	20.7	31.2	25.4	22.0	35.2	27.1	23.0	38.9	28.6	23.7	55
60	24.0	21.6	-	28.8	24.1	21.1	32.6	25.8	22.2	36.0	27.3	23.0	60
65	21.9	20.2	-	26.8	22.6	20.3	30.5	24.7	21.4	33.5	26.1	22.5	65
70	-	-	-	24.7	21.4	19.8	28.5	23.6	20.8	31.5	25.1	21.9	70
75	-	-	-	22.7	20.4	-	26.8	22.5	20.2	29.7	24.1	21.2	75
80	-	-	-	-	-	-	25.1	21.5	-	28.0	23.3	20.6	80
85	-	-	-	-	-	-	23.4	20.6	-	26.5	22.5	20.0	85
90	-	-	-	-	-	-	21.9	19.9	-	25.3	21.5	19.7	90
95	-	-	-	-	-	-	20.4	-	-	23.9	20.7	-	95
100	-	-	-	-	-	-	-	-	-	22.5	20.0	-	100
105	-	-	-	-	-	-	-	-	-	21.1	19.4	-	105
110	-	-	-	-	-	-	-	-	-	19.8	-	-	110

176,400 lbs		30.55 ft x 27.2 ft			3.3 ft + 32.8 ft			360°			ASME B30.5			
		101.1 ft			114.9 ft			128.6 ft			142.4 ft			
		0°	20°	40°	0°	20°	40°	0°	20°	40°	0°	20°	40°	
ft	1,000 lbs												ft	
18	43.4	-	-	43.4	-	-	-	-	-	-	-	-	-	18
20	43.4	43.3	-	43.4	43.4	-	-	43.4	-	-	-	-	-	20
25	43.4	41.5	-	43.4	42.1	-	-	43.4	42.2	-	43.4	-	-	25
30	43.4	39.0	28.3	43.4	39.4	-	-	43.4	39.9	-	43.4	39.9	-	30
35	43.4	36.6	27.3	43.4	37.4	27.6	-	43.4	37.9	-	43.4	38.0	-	35
40	43.4	34.6	26.5	43.4	35.5	26.7	-	43.4	35.9	27.0	43.4	36.3	27.2	40
45	43.4	32.9	25.7	43.4	33.8	25.9	-	43.4	34.4	26.3	43.4	34.6	26.5	45
50	43.4	31.4	24.8	43.4	32.3	25.2	-	43.4	32.9	25.6	43.4	33.2	25.8	50
55	41.9	29.9	24.1	42.8	30.8	24.6	-	43.4	31.5	25.0	43.4	32.0	25.3	55
60	38.9	28.6	23.4	41.3	29.5	24.1	-	43.0	30.4	24.3	43.1	30.8	24.8	60
65	36.4	27.4	23.0	38.8	28.5	23.4	-	40.6	29.2	23.9	41.6	29.8	24.3	65
70	34.4	26.4	22.4	36.6	27.5	22.9	-	38.4	28.2	23.3	39.5	28.8	23.7	70
75	32.4	25.5	21.9	34.6	26.5	22.5	-	36.4	27.2	22.9	37.5	27.9	23.2	75
80	30.6	24.7	21.4	32.8	25.5	22.1	-	34.6	26.4	22.6	35.7	27.1	22.8	80
85	28.9	23.9	20.7	31.1	24.9	21.6	-	32.9	25.7	22.2	34.2	26.4	22.4	85
90	27.6	23.2	20.3	29.8	24.3	21.1	-	31.4	24.9	21.8	32.7	25.6	22.1	90
95	26.3	22.4	20.0	28.4	23.6	20.6	-	30.1	24.3	21.3	31.4	25.0	21.8	95
100	25.2	21.5	-	27.2	22.9	20.1	-	28.9	23.8	20.8	30.2	24.4	21.4	100
105	24.2	20.7	-	26.2	22.2	19.8	-	27.7	23.1	20.5	29.1	23.8	20.9	105
110	22.8	20.2	-	25.2	21.5	19.5	-	26.7	22.8	20.1	28.0	23.3	20.6	110
115	21.6	19.5	-	24.2	20.9	-	-	25.7	22.2	19.8	26.9	22.9	20.2	115
120	20.5	-	-	23.1	20.3	-	-	24.8	21.5	-	25.9	22.5	19.9	120
125	-	-	-	22.1	19.8	-	-	23.9	20.9	-	25.0	22.0	19.8	125
130	-	-	-	21.1	19.2	-	-	23.1	20.3	-	23.8	21.4	19.5	130
135	-	-	-	20.2	-	-	-	22.4	19.9	-	22.9	21.0	-	135
140	-	-	-	-	-	-	-	21.6	19.4	-	22.0	20.5	-	140
145	-	-	-	-	-	-	-	20.6	-	-	21.2	19.9	-	145
150	-	-	-	-	-	-	-	19.8	-	-	20.4	19.5	-	150
155	-	-	-	-	-	-	-	-	-	-	19.5	19.1	-	155
160	-	-	-	-	-	-	-	-	-	-	18.6	-	-	160

Operation

176,400 lbs		30.55 ft x 27.2 ft			3.3 ft + 32.8 ft			360°			ASME B30.5		
ft	156.2 ft			170.0 ft			183.8 ft			197.5 ft			ft
	0°	20°	40°	0°	20°	40°	0°	20°	40°	0°	20°	40°	
1,000 lbs													
30	43.4	39.7	-	30.8	30.8	-	-	-	-	-	-	-	30
35	43.4	37.8	-	35.9	35.9	-	29.2	29.2	-	-	-	-	35
40	43.4	36.3	27.1	35.9	35.8	-	30.2	30.2	-	25.1	25.1	-	40
45	43.4	34.9	26.7	35.9	34.5	-	30.2	30.2	-	25.1	25.1	-	45
50	43.4	33.5	26.0	35.9	33.4	26.2	30.2	30.2	26.2	25.1	25.1	-	50
55	43.4	32.3	25.5	35.9	32.3	25.7	30.2	30.2	25.7	25.1	25.1	25.1	55
60	43.2	31.3	25.0	35.9	31.3	25.2	30.2	30.2	25.2	25.1	25.1	25.1	60
65	41.9	30.3	24.5	35.9	30.3	24.7	30.2	30.2	24.7	25.1	25.1	24.9	65
70	40.1	29.3	24.0	35.9	29.5	24.2	30.2	29.5	24.3	25.1	25.1	24.6	70
75	38.3	28.3	23.6	35.9	28.6	23.8	30.2	28.7	24.0	25.1	25.1	24.1	75
80	36.6	27.5	23.2	35.7	27.7	23.4	30.2	28.0	23.7	25.1	25.1	23.7	80
85	34.9	26.8	22.9	35.0	27.1	23.1	30.2	27.3	23.3	25.1	25.1	23.3	85
90	33.5	26.2	22.5	33.4	26.5	22.8	30.2	26.7	23.0	25.1	25.0	23.2	90
95	32.3	25.6	22.2	31.8	25.9	22.5	29.7	26.1	22.7	25.0	24.4	22.9	95
100	31.0	24.9	21.9	30.3	25.4	22.2	28.7	25.6	22.4	24.7	23.6	22.6	100
105	29.5	24.4	21.6	29.5	24.9	22.0	27.5	25.1	22.2	24.2	23.1	22.2	105
110	28.0	23.9	21.1	28.3	24.4	21.7	26.5	24.6	21.9	23.4	22.4	21.7	110
115	26.9	23.4	20.7	27.1	23.8	21.2	25.5	24.1	21.5	22.9	21.7	21.1	115
120	26.1	23.0	20.4	25.9	23.4	20.8	24.4	23.6	21.2	22.4	21.1	20.5	120
125	25.5	22.7	20.2	24.5	23.1	20.7	23.2	23.1	20.9	21.7	20.5	20.0	125
130	24.8	22.3	19.9	23.5	22.4	20.3	22.2	22.5	20.7	20.9	19.9	19.5	130
135	23.6	21.9	19.7	22.3	22.0	20.0	21.3	21.7	20.4	20.2	19.3	18.9	135
140	22.3	21.4	-	21.1	21.4	19.7	20.3	20.7	20.1	19.4	18.7	18.3	140
145	20.9	20.8	-	20.1	20.4	19.6	19.3	19.7	19.9	18.6	18.1	17.9	145
150	19.6	20.1	-	19.3	19.6	19.4	18.0	18.9	19.1	17.8	17.7	17.5	150
155	18.4	19.1	-	18.0	18.7	-	17.2	17.6	18.0	16.9	17.2	17.0	155
160	17.3	17.9	-	16.9	17.6	-	16.6	16.6	-	16.0	16.3	16.4	160
165	16.4	16.7	-	15.8	16.5	-	15.8	15.9	-	15.0	15.3	15.8	165
170	15.9	15.9	-	14.8	15.3	-	15.0	15.3	-	14.2	14.6	14.6	170
175	14.9	-	-	14.3	14.3	-	14.2	14.5	-	13.6	13.6	-	175
180	-	-	-	13.9	13.2	-	13.3	13.7	-	13.2	13.0	-	180
185	-	-	-	13.5	-	-	12.5	13.0	-	12.8	12.6	-	185
190	-	-	-	13.0	-	-	11.9	12.2	-	12.0	12.3	-	190
195	-	-	-	-	-	-	11.5	-	-	11.3	11.5	-	195
200	-	-	-	-	-	-	11.1	-	-	10.7	10.8	-	200
205	-	-	-	-	-	-	-	-	-	10.1	-	-	205
210	-	-	-	-	-	-	-	-	-	9.4	-	-	210
215	-	-	-	-	-	-	-	-	-	9.1	-	-	215

176,400 lbs		30.55 ft x 27.2 ft			3.3 ft + 32.8 ft			360°			ASME B30.5		
ft	211.3 ft			225.1 ft			238.9 ft			259.3 ft			ft
	0°	20°	40°	0°	20°	40°	0°	20°	40°	0°	20°	40°	
1,000 lbs													
40	18.9	18.9	-	-	-	-	-	-	-	-	-	-	40
45	18.9	18.9	-	-	-	-	-	-	-	-	-	-	45
50	18.9	18.9	-	15.8	15.8	-	-	-	-	-	-	-	50
55	18.9	18.9	18.9	15.8	15.8	15.8	13.2	13.2	-	-	-	-	55
60	18.9	18.9	18.9	15.8	15.8	15.8	13.2	13.2	13.2	11.4	11.4	-	60
65	18.9	18.9	18.9	15.8	15.8	15.8	13.2	13.2	13.2	11.4	11.4	-	65
70	18.9	18.9	18.9	15.8	15.8	15.8	13.2	13.2	13.2	11.4	11.4	11.4	70
75	18.9	18.9	18.9	15.8	15.8	15.8	13.2	13.2	13.2	11.4	11.4	11.4	75
80	18.9	18.9	18.9	15.8	15.8	15.8	13.2	13.2	13.2	11.4	11.4	11.4	80
85	18.9	18.9	18.9	15.8	15.8	15.8	13.2	13.2	13.2	11.4	11.4	11.4	85
90	18.9	18.9	18.9	15.8	15.8	15.8	13.2	13.2	13.2	11.4	11.4	11.4	90
95	18.9	18.9	18.9	15.8	15.8	15.8	13.2	13.2	13.2	11.4	11.4	11.4	95
100	18.9	18.9	18.9	15.8	15.8	15.8	13.2	13.2	13.2	11.4	11.4	11.4	100
105	18.9	18.9	18.9	15.8	15.8	15.8	13.2	13.2	13.2	11.4	11.4	11.4	105
110	18.9	18.9	18.6	15.8	15.8	15.8	13.2	13.2	13.0	11.4	11.4	11.4	110
115	18.9	18.7	18.2	15.8	15.8	15.8	13.2	13.2	12.7	11.4	11.4	11.4	115
120	18.8	18.4	17.8	15.8	15.7	15.6	13.2	13.2	12.4	11.4	11.4	11.4	120
125	18.5	18.0	17.4	15.8	15.6	15.2	13.2	13.2	12.1	11.4	11.4	11.4	125
130	18.1	17.5	16.8	15.8	15.3	14.8	13.2	13.2	11.7	11.4	11.4	11.4	130
135	17.7	17.0	16.5	15.5	14.8	14.4	13.2	12.9	11.4	11.4	11.4	11.4	135
140	17.2	16.5	16.1	15.0	14.4	13.9	13.1	12.6	11.1	11.4	11.4	11.4	140
145	16.6	15.9	15.7	14.5	14.1	13.6	12.9	12.3	11.0	11.4	11.4	11.4	145
150	16.1	15.5	15.3	14.2	13.7	13.3	12.4	12.0	10.6	11.4	11.2	11.1	150
155	15.6	15.1	14.9	13.7	13.2	12.9	12.1	11.6	10.4	11.3	11.0	10.7	155
160	15.2	14.7	14.5	13.2	12.8	12.5	11.7	11.2	10.1	11.0	10.6	10.3	160
165	14.8	14.2	14.2	12.9	12.4	12.3	11.4	10.9	9.9	10.7	10.2	9.8	165
170	14.2	13.8	13.8	12.5	12.1	12.1	11.2	10.5	9.7	10.2	9.8	9.4	170
175	13.2	13.5	13.5	12.2	11.8	11.8	10.9	10.2	9.5	9.8	9.4	9.1	175
180	12.4	12.9	-	11.9	11.4	11.4	10.6	10.0	9.3	9.4	9.0	8.8	180
185	11.7	12.1	-	11.5	11.2	-	10.3	9.8	9.2	8.9	8.7	8.4	185
190	10.9	11.3	-	11.0	11.0	-	10.1	9.4	9.0	8.5	8.3	8.1	190
195	10.6	10.6	-	10.2	10.6	-	9.8	9.3	-	8.2	8.0	8.0	195
200	10.3	10.1	-	9.5	10.0	-	9.5	9.1	-	7.8	7.7	7.7	200
205	9.9	9.9	-	9.0	9.2	-	9.1	8.9	-	7.4	7.3	7.3	205
210	9.2	9.7	-	8.8	8.5	-	8.8	8.5	-	7.2	7.0	7.0	210
215	8.7	9.0	-	8.6	8.2	-	8.1	8.3	-	6.9	6.8	-	215
220	8.2	-	-	8.3	8.0	-	7.5	8.0	-	6.4	6.5	-	220
225	7.8	-	-	8.0	7.8	-	7.0	7.4	-	6.0	6.2	-	225
230	7.3	-	-	7.7	-	-	6.6	6.8	-	5.7	5.9	-	230
235	6.5	-	-	7.1	-	-	5.9	6.2	-	5.3	5.6	-	235
240	-	-	-	6.6	-	-	5.4	5.8	-	5.0	5.2	-	240
245	-	-	-	5.7	-	-	5.0	-	-	4.6	4.9	-	245
250	-	-	-	-	-	-	4.5	-	-	4.0	4.5	-	250
255	-	-	-	-	-	-	4.0	-	-	3.6	4.0	-	255
260	-	-	-	-	-	-	3.1	-	-	3.2	3.5	-	260
265	-	-	-	-	-	-	-	-	-	2.8	-	-	265
270	-	-	-	-	-	-	-	-	-	2.5	-	-	270
275	-	-	-	-	-	-	-	-	-	2.2	-	-	275
275.6	-	-	-	-	-	-	-	-	-	2.2	-	-	275.6



Operation

176,400 lbs		30.55 ft x 27.2 ft			23.3 ft + 75.1 ft			360°			ASME B30.5		
ft	44.4 ft			58.2 ft			73.5 ft			87.3 ft			ft
	0°	20°	40°	0°	20°	40°	0°	20°	40°	0°	20°	40°	
1,000 lbs													
17	23.3	-	-	23.3	-	-	-	-	-	-	-	-	17
19	23.3	-	-	23.3	-	-	-	-	-	-	-	-	19
21	23.3	-	-	23.3	-	-	23.3	-	-	-	-	-	21
26	23.3	-	-	23.3	-	-	23.3	-	-	22.4	-	-	26
31	23.2	-	-	23.3	-	-	23.3	-	-	22.4	-	-	31
36	21.8	-	-	22.9	-	-	23.1	-	-	22.4	-	-	36
41	19.2	15.5	-	21.2	16.3	-	22.0	16.7	-	22.1	17.0	-	41
46	16.9	14.1	-	18.9	14.9	-	20.7	15.4	-	21.3	15.8	-	46
51	15.2	12.9	-	17.4	13.6	-	18.8	14.2	-	20.0	14.6	-	51
56	13.8	11.8	-	15.7	12.5	-	17.2	13.1	-	18.5	13.6	-	56
61	12.5	10.9	9.6	14.2	11.6	-	15.8	12.2	-	17.1	12.7	-	61
66	11.3	10.0	9.0	12.9	10.7	9.2	14.4	11.3	9.4	15.7	11.8	9.7	66
71	10.5	9.4	8.4	11.9	10.1	8.6	13.3	10.5	8.9	14.4	11.2	9.1	71
76	9.7	8.7	7.9	10.8	9.4	8.1	12.2	9.8	8.5	13.3	10.5	8.6	76
81	8.9	8.1	7.5	10.0	8.8	7.7	11.2	9.2	8.1	12.3	9.8	8.2	81
86	8.2	7.6	7.1	9.3	8.2	7.4	10.4	8.7	7.6	11.5	9.2	7.8	86
91	7.5	7.1	6.7	8.6	7.8	7.1	9.8	8.2	7.3	10.7	8.9	7.5	91
96	7.0	6.7	6.3	8.1	7.3	6.7	9.1	7.8	6.9	10.0	8.4	7.1	96
101	6.6	6.3	5.9	7.6	6.8	6.4	8.5	7.4	6.6	9.4	7.8	6.9	101
106	6.2	5.8	5.7	7.1	6.5	6.0	8.0	6.9	6.3	8.9	7.3	6.7	106
111	5.7	5.5	5.5	6.6	6.1	5.7	7.5	6.6	6.1	8.4	7.0	6.3	111
116	5.4	5.3	5.2	6.3	5.8	5.6	7.0	6.3	5.8	7.9	6.7	6.2	116
121	5.0	5.0	-	5.9	5.5	5.4	6.6	6.0	5.6	7.4	6.5	5.9	121
126	4.8	-	-	5.6	5.2	5.1	6.2	5.8	5.4	6.9	6.2	5.7	126
131	4.6	-	-	5.2	5.0	4.8	5.9	5.5	5.2	6.6	5.9	5.5	131
136	-	-	-	4.9	4.9	-	5.6	5.3	5.1	6.2	5.8	5.3	136
141	-	-	-	4.7	4.6	-	5.4	5.0	-	5.9	5.5	5.1	141
146	-	-	-	-	-	-	5.1	4.8	-	5.7	5.2	5.0	146
151	-	-	-	-	-	-	4.8	4.6	-	5.5	5.0	-	151
156	-	-	-	-	-	-	4.6	4.4	-	5.1	4.8	-	156
161	-	-	-	-	-	-	-	-	-	4.9	4.7	-	161
166	-	-	-	-	-	-	-	-	-	4.7	4.5	-	166

Operation

176,400 lbs		30.55 ft x 27.2 ft			23.3 ft + 75.1 ft			360°			ASME B30.5		
		101.1 ft			114.9 ft			128.6 ft			142.4 ft		
		0°	20°	40°	0°	20°	40°	0°	20°	40°	0°	20°	40°
ft	1,000 lbs												ft
31	19.6	-	-	18.5	-	-	17.0	-	-	-	-	-	31
36	19.6	-	-	18.5	-	-	17.6	-	-	15.6	-	-	36
41	19.6	-	-	18.5	-	-	17.6	-	-	15.6	-	-	41
46	19.6	16.0	-	18.5	16.3	-	17.6	16.0	-	15.6	-	-	46
51	19.6	15.0	-	18.5	15.2	-	17.6	15.2	-	15.6	-	-	51
56	19.1	14.0	-	18.5	14.2	-	17.6	14.3	-	15.6	14.3	-	56
61	18.2	13.1	-	18.3	13.3	-	17.6	13.6	-	15.6	13.6	-	61
66	16.8	12.2	9.7	17.7	12.6	-	17.6	12.9	-	15.6	12.9	-	66
71	15.5	11.6	9.3	16.6	11.8	-	17.0	12.3	-	15.6	12.3	-	71
76	14.4	10.9	8.8	15.4	11.2	9.0	16.1	11.6	9.0	15.6	11.7	9.0	76
81	13.3	10.2	8.4	14.3	10.7	8.6	15.1	11.0	8.6	15.4	11.1	8.7	81
86	12.4	9.6	8.1	13.5	10.0	8.3	14.2	10.4	8.3	14.8	10.5	8.5	86
91	11.6	9.3	7.8	12.5	9.5	8.0	13.4	10.0	8.0	13.8	10.2	8.2	91
96	10.8	8.8	7.4	11.7	9.1	7.6	12.5	9.5	7.8	13.0	9.7	7.8	96
101	10.2	8.3	7.1	11.0	8.7	7.3	11.7	9.0	7.5	12.4	9.2	7.6	101
106	9.6	7.8	6.9	10.4	8.2	7.1	11.1	8.7	7.2	11.8	8.9	7.3	106
111	9.1	7.4	6.6	9.8	7.9	6.8	10.6	8.3	7.0	11.1	8.5	7.0	111
116	8.5	7.1	6.4	9.2	7.6	6.7	10.0	8.0	6.9	10.5	8.2	6.9	116
121	8.0	6.9	6.1	8.8	7.2	6.4	9.4	7.7	6.6	10.0	7.9	6.7	121
126	7.6	6.7	5.9	8.4	7.0	6.1	8.9	7.3	6.3	9.6	7.6	6.5	126
131	7.2	6.3	5.7	7.9	6.8	5.9	8.5	7.0	6.1	9.0	7.2	6.3	131
136	6.9	6.0	5.6	7.5	6.4	5.8	8.2	6.9	6.0	8.6	7.1	6.2	136
141	6.6	5.8	5.4	7.2	6.2	5.6	7.8	6.6	5.8	8.3	6.8	6.0	141
146	6.2	5.7	5.2	6.9	6.0	5.4	7.3	6.3	5.7	8.0	6.5	5.9	146
151	5.9	5.5	5.0	6.6	5.7	5.2	7.0	6.1	5.5	7.7	6.3	5.7	151
156	5.7	5.3	5.0	6.2	5.5	5.2	6.8	5.9	5.3	7.3	6.1	5.5	156
161	5.4	5.0	-	6.0	5.3	5.1	6.5	5.7	5.2	7.0	6.0	5.3	161
166	5.1	4.7	-	5.8	5.1	4.9	6.2	5.4	5.1	6.6	5.8	5.2	166
171	5.0	4.6	-	5.5	5.0	-	5.9	5.2	5.0	6.3	5.7	5.2	171
176	4.7	4.6	-	5.3	4.8	-	5.7	5.0	4.8	6.1	5.5	5.0	176
181	4.5	-	-	5.0	4.7	-	5.6	5.0	-	6.0	5.3	4.9	181
186	-	-	-	4.7	4.5	-	5.3	4.9	-	5.8	5.1	4.8	186
191	-	-	-	4.6	-	-	5.0	4.8	-	5.5	5.0	-	191
196	-	-	-	4.4	-	-	4.8	4.6	-	5.2	4.8	-	196
201	-	-	-	-	-	-	4.7	-	-	5.1	4.7	-	201
206	-	-	-	-	-	-	4.5	-	-	4.9	4.6	-	206
211	-	-	-	-	-	-	-	-	-	4.8	-	-	211
216	-	-	-	-	-	-	-	-	-	4.6	-	-	216
221	-	-	-	-	-	-	-	-	-	4.5	-	-	221

Operation

176,400 lbs		30.55 ft x 27.2 ft			23.3 ft + 75.1 ft			360°			ASME B30.5		
ft	156.2 ft			170.0 ft			183.8 ft			197.5 ft			ft
	0°	20°	40°	0°	20°	40°	0°	20°	40°	0°	20°	40°	
1,000 lbs													
41	14.1	-	-	-	-	-	-	-	-	-	-	-	41
46	14.1	-	-	12.3	-	-	10.1	-	-	-	-	-	46
51	14.1	-	-	12.3	-	-	10.8	-	-	-	-	-	51
56	14.1	13.9	-	12.3	12.3	-	11.0	-	-	9.4	-	-	56
61	14.1	13.6	-	12.3	12.3	-	11.0	11.0	-	9.4	9.4	-	61
66	14.1	12.9	-	12.3	12.3	-	11.0	11.0	-	9.4	9.4	-	66
71	14.1	12.3	-	12.3	12.1	-	11.0	11.0	-	9.4	9.4	-	71
76	14.1	11.7	-	12.3	11.7	-	11.0	11.0	-	9.4	9.4	-	76
81	14.1	11.2	8.8	12.3	11.2	8.7	11.0	10.9	-	9.4	9.4	-	81
86	14.1	10.7	8.5	12.3	10.7	8.5	11.0	10.7	8.5	9.4	9.4	8.5	86
91	14.1	10.4	8.2	12.3	10.4	8.2	11.0	10.4	8.2	9.4	9.4	8.2	91
96	13.5	9.9	8.0	12.3	10.0	8.0	11.0	10.0	8.0	9.4	9.4	8.0	96
101	12.8	9.5	7.7	12.3	9.7	7.7	11.0	9.7	7.8	9.4	9.4	7.8	101
106	12.2	9.1	7.4	12.2	9.3	7.4	11.0	9.3	7.6	9.4	9.3	7.7	106
111	11.5	8.8	7.2	11.9	9.0	7.2	11.0	9.0	7.2	9.4	9.0	7.4	111
116	11.0	8.5	7.1	11.4	8.7	7.1	11.0	8.7	7.1	9.4	8.9	7.1	116
121	10.5	8.1	6.9	10.9	8.3	6.9	11.0	8.4	6.9	9.4	8.6	6.9	121
126	10.0	7.8	6.7	10.4	8.0	6.8	10.9	8.2	6.8	9.4	8.3	6.8	126
131	9.7	7.4	6.3	9.9	7.7	6.6	10.3	7.9	6.6	9.4	8.1	6.8	131
136	9.2	7.3	6.2	9.5	7.5	6.4	10.0	7.8	6.4	9.4	7.8	6.7	136
141	8.8	7.1	6.1	9.2	7.2	6.2	9.6	7.5	6.2	9.4	7.6	6.5	141
146	8.4	6.9	6.1	8.8	7.0	6.1	9.1	7.2	6.1	9.4	7.4	6.3	146
151	8.1	6.6	5.9	8.3	6.8	5.9	8.8	7.0	6.1	9.2	7.2	6.1	151
156	7.8	6.4	5.7	8.1	6.6	5.7	8.4	6.8	5.9	8.9	6.9	5.9	156
161	7.4	6.2	5.6	7.9	6.4	5.7	8.1	6.7	5.8	8.5	6.7	5.9	161
166	7.1	6.0	5.4	7.5	6.2	5.6	7.8	6.5	5.6	8.2	6.5	5.8	166
171	6.8	5.9	5.2	7.2	6.1	5.5	7.7	6.3	5.5	7.9	6.3	5.7	171
176	6.6	5.7	5.2	6.9	5.9	5.3	7.3	6.1	5.5	7.7	6.1	5.5	176
181	6.3	5.6	5.1	6.7	5.8	5.2	7.1	6.0	5.3	7.4	6.0	5.5	181
186	6.0	5.4	5.0	6.5	5.6	5.1	6.9	5.8	5.2	7.1	5.9	5.4	186
191	5.9	5.2	5.0	6.3	5.5	5.0	6.6	5.7	5.2	7.0	5.9	5.2	191
196	5.7	5.0	4.8	6.0	5.2	5.0	6.3	5.5	5.0	6.7	5.7	5.2	196
201	5.6	4.9	-	5.8	5.1	4.9	6.2	5.3	5.0	6.4	5.6	5.1	201
206	5.4	4.8	-	5.6	5.0	4.8	6.0	5.1	4.9	6.2	5.4	5.0	206
211	5.2	4.8	-	5.5	5.0	-	5.9	5.0	-	6.1	5.2	5.0	211
216	5.0	4.6	-	5.2	4.8	-	5.7	5.0	-	5.9	5.2	4.8	216
221	4.9	4.5	-	5.1	4.7	-	5.6	4.9	-	5.8	5.1	4.8	221
226	4.7	-	-	4.9	4.6	-	5.4	4.8	-	5.6	4.9	-	226
231	4.6	-	-	4.8	4.6	-	5.2	4.8	-	5.4	4.8	-	231
236	4.4	-	-	4.6	4.4	-	5.0	4.6	-	5.2	4.8	-	236
241	-	-	-	4.6	-	-	4.9	4.5	-	5.1	4.7	-	241
246	-	-	-	4.5	-	-	4.7	4.4	-	4.9	4.6	-	246
251	-	-	-	-	-	-	4.5	-	-	4.8	4.5	-	251
256	-	-	-	-	-	-	4.4	-	-	4.8	4.4	-	256
261	-	-	-	-	-	-	4.4	-	-	4.3	4.4	-	261
266	-	-	-	-	-	-	-	-	-	4.0	-	-	266
271	-	-	-	-	-	-	-	-	-	3.8	-	-	271

Operation

176,400 lbs		30.55 ft x 27.2 ft			23.3 ft + 75.1 ft			360°			ASME B30.5		
211.3 ft		225.1 ft			238.9 ft			259.3 ft					
0° 20° 40°		0° 20° 40°			0° 20° 40°			0° 20° 40°					
ft	1,000 lbs												ft
56	7.7	-	-	-	-	-	-	-	-	-	-	-	56
61	8.3	-	-	7.2	-	-	6.1	-	-	-	-	-	61
66	8.3	8.3	-	7.2	7.2	-	6.1	6.1	-	5.5	-	-	66
71	8.3	8.3	-	7.2	7.2	-	6.1	6.1	-	5.5	-	-	71
76	8.3	8.3	-	7.2	7.2	-	6.1	6.1	-	5.5	5.5	-	76
81	8.3	8.3	-	7.2	7.2	-	6.1	6.1	-	5.5	5.5	-	81
86	8.3	8.3	8.3	7.2	7.2	-	6.1	6.1	-	5.5	5.5	-	86
91	8.3	8.3	8.1	7.2	7.2	-	6.1	6.1	-	5.5	5.5	-	91
96	8.3	8.3	8.0	7.2	7.2	7.2	6.1	6.1	5.6	5.5	5.5	-	96
101	8.3	8.3	7.8	7.2	7.2	7.2	6.1	6.1	5.4	5.5	5.5	5.1	101
106	8.3	8.3	7.6	7.2	7.2	7.2	6.1	6.0	5.1	5.5	5.5	5.0	106
111	8.3	8.3	7.2	7.2	7.2	7.2	6.1	5.7	4.8	5.5	5.5	4.8	111
116	8.3	8.3	7.1	7.2	7.2	7.1	6.1	5.6	4.7	5.5	5.5	4.7	116
121	8.3	8.3	7.0	7.2	7.2	7.0	6.1	5.4	4.5	5.5	5.4	4.5	121
126	8.3	8.3	7.0	7.2	7.2	7.0	6.1	5.1	4.4	5.5	5.2	4.4	126
131	8.3	8.1	6.8	7.2	7.2	6.8	5.9	4.8	4.4	5.5	5.0	4.4	131
136	8.3	8.0	6.7	7.2	7.2	6.7	5.8	4.7	4.2	5.5	4.7	4.2	136
141	8.3	7.7	6.5	7.2	7.2	6.5	5.5	4.5	4.0	5.5	4.5	4.0	141
146	8.3	7.4	6.3	7.2	7.2	6.3	5.2	4.3	3.9	5.4	4.3	3.9	146
151	8.3	7.2	6.1	7.2	7.2	6.1	5.0	4.1	3.7	5.2	4.1	3.7	151
156	8.3	7.0	5.9	7.2	7.0	6.1	4.8	3.9	3.5	5.0	4.1	3.7	156
161	8.3	6.9	5.9	7.2	6.9	6.0	4.6	3.8	3.5	4.8	4.0	3.6	161
166	8.2	6.7	5.8	7.2	6.7	5.8	4.3	3.6	3.4	4.5	3.8	3.4	166
171	8.1	6.6	5.7	7.2	6.6	5.7	4.1	3.5	3.3	4.4	3.7	3.3	171
176	7.9	6.4	5.7	7.0	6.4	5.7	3.9	3.5	3.1	4.2	3.5	3.3	176
181	7.6	6.2	5.6	6.8	6.3	5.6	3.8	3.4	3.0	4.0	3.4	3.1	181
186	7.3	6.0	5.4	6.5	6.2	5.5	3.6	3.2	2.9	3.8	3.3	2.9	186
191	7.2	5.9	5.2	6.3	6.1	5.5	3.5	3.0	2.8	3.7	3.3	2.8	191
196	7.0	5.7	5.2	6.1	5.9	5.2	3.3	2.8	2.8	3.5	3.0	2.8	196
201	6.7	5.7	5.1	6.0	5.8	5.2	3.1	2.8	2.7	3.5	2.9	2.7	201
206	6.5	5.6	5.0	5.9	5.6	5.1	3.0	2.7	2.6	3.4	2.8	2.6	206
211	6.3	5.5	5.0	5.9	5.5	5.0	3.0	2.6	2.6	3.3	2.8	2.6	211
216	6.1	5.2	5.0	5.7	5.5	5.0	2.8	2.6	2.4	3.0	2.6	2.4	216
221	6.0	5.2	4.9	5.6	5.3	4.9	2.7	2.5	2.4	2.9	2.6	2.4	221
226	5.8	5.1	4.8	5.4	5.1	4.8	2.6	2.4	2.3	2.7	2.5	2.4	226
231	5.6	5.0	4.8	5.2	5.0	4.8	2.6	2.4	2.2	2.6	2.4	2.4	231
236	5.2	4.8	4.6	5.0	4.8	4.8	2.4	2.2	2.2	2.4	2.4	2.2	236
241	4.9	4.8	-	4.9	4.8	-	2.3	2.2	-	2.3	2.3	2.2	241
246	4.7	4.7	-	4.5	4.7	-	2.2	-	-	2.2	2.2	-	246
251	4.5	4.5	-	4.0	4.5	-	-	-	-	-	-	-	251
256	4.4	4.4	-	3.7	4.4	-	-	-	-	-	-	-	256
261	4.2	4.2	-	3.2	4.0	-	-	-	-	-	-	-	261
266	3.9	4.0	-	2.8	3.6	-	-	-	-	-	-	-	266
271	3.6	3.8	-	2.5	3.2	-	-	-	-	-	-	-	271
276	3.3	-	-	-	-	-	-	-	-	-	-	-	276
281	2.9	-	-	-	-	-	-	-	-	-	-	-	281
286	2.6	-	-	-	-	-	-	-	-	-	-	-	286
289	2.4	-	-	-	-	-	-	-	-	-	-	-	289

Operation

109,400 lbs		30.55 ft x 27.2 ft			23.3 ft + 75.1 ft			360°			ASME B30.5		
ft	44.4 ft			58.2 ft			73.5 ft			87.3 ft			ft
	0°	20°	40°	0°	20°	40°	0°	20°	40°	0°	20°	40°	
1,000 lbs													
17	23.3	-	-	23.3	-	-	-	-	-	-	-	-	17
19	23.3	-	-	23.3	-	-	-	-	-	-	-	-	19
21	23.3	-	-	23.3	-	-	23.3	-	-	-	-	-	21
26	23.3	-	-	23.3	-	-	23.3	-	-	22.4	-	-	26
31	23.2	-	-	23.3	-	-	23.3	-	-	22.4	-	-	31
36	21.8	-	-	22.9	-	-	23.1	-	-	22.4	-	-	36
41	19.2	15.5	-	21.2	16.3	-	22.0	16.7	-	22.1	17.0	-	41
46	16.9	14.1	-	18.9	14.9	-	20.7	15.4	-	21.3	15.8	-	46
51	15.2	12.9	-	17.4	13.6	-	18.8	14.2	-	20.0	14.6	-	51
56	13.8	11.8	-	15.7	12.5	-	17.2	13.1	-	18.5	13.6	-	56
61	12.5	10.9	9.6	14.2	11.6	-	15.8	12.2	-	17.1	12.7	-	61
66	11.3	10.0	9.0	12.9	10.7	9.2	14.4	11.3	9.4	15.7	11.8	9.7	66
71	10.5	9.4	8.4	11.9	10.1	8.6	13.3	10.5	8.9	14.4	11.2	9.1	71
76	9.7	8.7	7.9	10.8	9.4	8.1	12.2	9.8	8.5	13.3	10.5	8.6	76
81	8.9	8.1	7.5	10.0	8.8	7.7	11.2	9.2	8.1	12.3	9.8	8.2	81
86	8.2	7.6	7.1	9.3	8.2	7.4	10.4	8.7	7.6	11.5	9.2	7.8	86
91	7.5	7.1	6.7	8.6	7.8	7.1	9.8	8.2	7.3	10.7	8.9	7.5	91
96	7.0	6.7	6.3	8.1	7.3	6.7	9.1	7.8	6.9	10.0	8.4	7.1	96
101	6.6	6.3	5.9	7.6	6.8	6.4	8.5	7.4	6.6	9.4	7.8	6.9	101
106	6.2	5.8	5.7	7.1	6.5	6.0	8.0	6.9	6.3	8.9	7.3	6.7	106
111	5.7	5.5	5.5	6.6	6.1	5.7	7.5	6.6	6.1	8.4	7.0	6.3	111
116	5.4	5.3	5.2	6.3	5.8	5.6	7.0	6.3	5.8	7.9	6.7	6.2	116
121	5.0	5.0	-	5.9	5.5	5.4	6.6	6.0	5.6	7.4	6.5	5.9	121
126	4.8	-	-	5.6	5.2	5.1	6.2	5.8	5.4	6.9	6.2	5.7	126
131	4.6	-	-	5.2	5.0	4.8	5.9	5.5	5.2	6.6	5.9	5.5	131
136	-	-	-	4.9	4.9	-	5.6	5.3	5.1	6.2	5.8	5.3	136
141	-	-	-	4.7	4.6	-	5.4	5.0	-	5.9	5.5	5.1	141
146	-	-	-	-	-	-	5.1	4.8	-	5.7	5.2	5.0	146
151	-	-	-	-	-	-	4.8	4.6	-	5.5	5.0	-	151
156	-	-	-	-	-	-	4.6	4.4	-	5.1	4.8	-	156
161	-	-	-	-	-	-	-	-	-	4.9	4.7	-	161
166	-	-	-	-	-	-	-	-	-	4.7	4.5	-	166

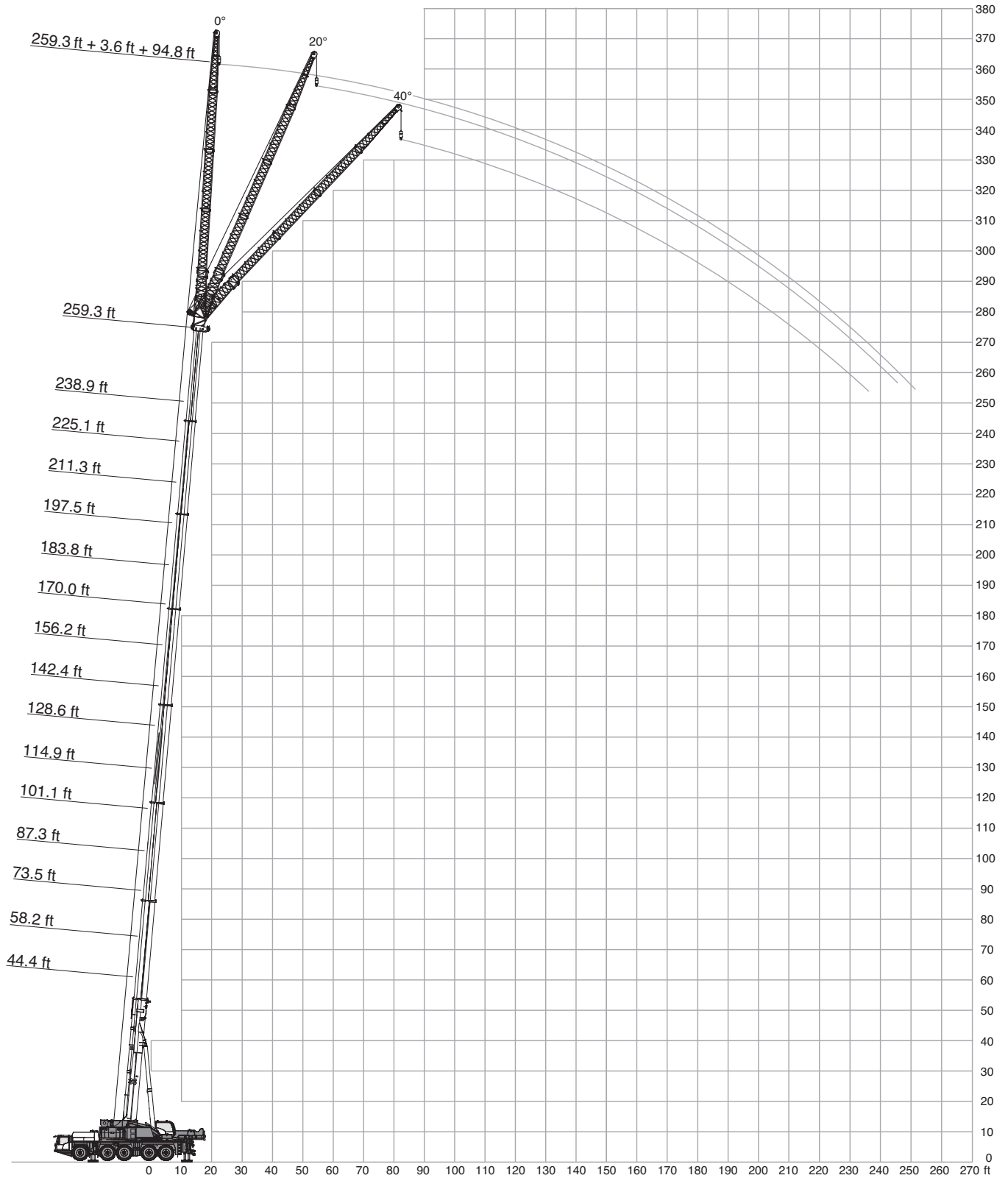
109,400 lbs		30.55 ft x 27.2 ft			23.3 ft + 75.1 ft			360°			ASME B30.5		
ft	101.1 ft			114.9 ft			128.6 ft			142.4 ft			ft
	0°	20°	40°	0°	20°	40°	0°	20°	40°	0°	20°	40°	
1,000 lbs													
31	19.6	-	-	18.5	-	-	17.0	-	-	-	-	-	31
36	19.6	-	-	18.5	-	-	17.6	-	-	15.6	-	-	36
41	19.6	-	-	18.5	-	-	17.6	-	-	15.6	-	-	41
46	19.6	16.0	-	18.5	16.3	-	17.6	16.0	-	15.6	-	-	46
51	19.6	15.0	-	18.5	15.2	-	17.6	15.2	-	15.6	-	-	51
56	19.1	14.0	-	18.5	14.2	-	17.6	14.3	-	15.6	14.3	-	56
61	18.2	13.1	-	18.3	13.3	-	17.6	13.6	-	15.6	13.6	-	61
66	16.8	12.2	9.7	17.7	12.6	-	17.6	12.9	-	15.6	12.9	-	66
71	15.5	11.6	9.3	16.6	11.8	-	17.0	12.3	-	15.6	12.3	-	71
76	14.4	10.9	8.8	15.4	11.2	9.0	16.1	11.6	9.0	15.6	11.7	9.0	76
81	13.3	10.2	8.4	14.3	10.7	8.6	15.1	11.0	8.6	15.4	11.1	8.7	81
86	12.4	9.6	8.1	13.5	10.0	8.3	14.2	10.4	8.3	14.8	10.5	8.5	86
91	11.6	9.3	7.8	12.5	9.5	8.0	13.4	10.0	8.0	13.8	10.2	8.2	91
96	10.8	8.8	7.4	11.7	9.1	7.6	12.5	9.5	7.8	13.0	9.7	7.8	96
101	10.2	8.3	7.1	11.0	8.7	7.3	11.7	9.0	7.5	12.4	9.2	7.6	101
106	9.6	7.8	6.9	10.4	8.2	7.1	11.1	8.7	7.2	11.8	8.9	7.3	106
111	9.1	7.4	6.6	9.8	7.9	6.8	10.6	8.3	7.0	11.1	8.5	7.0	111
116	8.5	7.1	6.4	9.2	7.6	6.7	10.0	8.0	6.9	10.5	8.2	6.9	116
121	8.0	6.9	6.1	8.8	7.2	6.4	9.4	7.7	6.6	10.0	7.9	6.7	121
126	7.6	6.7	5.9	8.4	7.0	6.1	8.9	7.3	6.3	9.6	7.6	6.5	126
131	7.2	6.3	5.7	7.9	6.8	5.9	8.5	7.0	6.1	9.0	7.2	6.3	131
136	6.9	6.0	5.6	7.5	6.4	5.8	8.2	6.9	6.0	8.6	7.1	6.2	136
141	6.6	5.8	5.4	7.2	6.2	5.6	7.8	6.6	5.8	8.3	6.8	6.0	141
146	6.2	5.7	5.2	6.9	6.0	5.4	7.3	6.3	5.7	8.0	6.5	5.9	146
151	5.9	5.5	5.0	6.6	5.7	5.2	7.0	6.1	5.5	7.7	6.3	5.7	151
156	5.7	5.3	5.0	6.2	5.5	5.2	6.8	5.9	5.3	7.3	6.1	5.5	156
161	5.4	5.0	-	6.0	5.3	5.1	6.5	5.7	5.2	7.0	6.0	5.3	161
166	5.1	4.7	-	5.8	5.1	4.9	6.2	5.4	5.1	6.6	5.8	5.2	166
171	5.0	4.6	-	5.5	5.0	-	5.9	5.2	5.0	6.3	5.7	5.2	171
176	4.7	4.6	-	5.3	4.8	-	5.7	5.0	4.8	6.1	5.5	5.0	176
181	4.5	-	-	5.0	4.7	-	5.6	5.0	-	6.0	5.3	4.9	181
186	-	-	-	4.7	4.5	-	5.3	4.9	-	5.8	5.1	4.8	186
191	-	-	-	4.6	-	-	5.0	4.8	-	5.5	5.0	-	191
196	-	-	-	4.4	-	-	4.8	4.6	-	5.2	4.8	-	196
201	-	-	-	-	-	-	4.7	-	-	5.1	4.7	-	201
206	-	-	-	-	-	-	4.5	-	-	4.9	4.6	-	206
211	-	-	-	-	-	-	-	-	-	4.8	-	-	211
216	-	-	-	-	-	-	-	-	-	4.6	-	-	216
221	-	-	-	-	-	-	-	-	-	4.5	-	-	221
226	-	-	-	-	-	-	-	-	-	-	-	-	226
231	-	-	-	-	-	-	-	-	-	-	-	-	231
236	-	-	-	-	-	-	-	-	-	-	-	-	236

Operation

109,400 lbs		30.55 ft x 27.2 ft			23.3 ft + 75.1 ft			360°			ASME B30.5			
		156.2 ft			170.0 ft			183.8 ft			197.5 ft			
		0°	20°	40°	0°	20°	40°	0°	20°	40°	0°	20°	40°	
ft	1,000 lbs												ft	
41	14.1	-	-	-	-	-	-	-	-	-	-	-	-	41
46	14.1	-	-	12.3	-	-	10.1	-	-	-	-	-	-	46
51	14.1	-	-	12.3	-	-	10.8	-	-	-	-	-	-	51
56	14.1	13.9	-	12.3	12.3	-	11.0	-	-	9.4	-	-	-	56
61	14.1	13.6	-	12.3	12.3	-	11.0	11.0	-	9.4	9.4	-	-	61
66	14.1	12.9	-	12.3	12.3	-	11.0	11.0	-	9.4	9.4	-	-	66
71	14.1	12.3	-	12.3	12.1	-	11.0	11.0	-	9.4	9.4	-	-	71
76	14.1	11.7	-	12.3	11.7	-	11.0	11.0	-	9.4	9.4	-	-	76
81	14.1	11.2	8.8	12.3	11.2	8.7	11.0	10.9	-	9.4	9.4	-	-	81
86	14.1	10.7	8.5	12.3	10.7	8.5	11.0	10.7	8.5	9.4	9.4	8.5	-	86
91	14.1	10.4	8.2	12.3	10.4	8.2	11.0	10.4	8.2	9.4	9.4	8.2	-	91
96	13.5	9.9	8.0	12.3	10.0	8.0	11.0	10.0	8.0	9.4	9.4	8.0	-	96
101	12.8	9.5	7.7	12.3	9.7	7.7	11.0	9.7	7.8	9.4	9.4	7.8	-	101
106	12.2	9.1	7.4	12.2	9.3	7.4	11.0	9.3	7.6	9.4	9.3	7.7	-	106
111	11.5	8.8	7.2	11.9	9.0	7.2	11.0	9.0	7.2	9.4	9.0	7.4	-	111
116	11.0	8.5	7.1	11.4	8.7	7.1	11.0	8.7	7.1	9.4	8.9	7.1	-	116
121	10.5	8.1	6.9	10.9	8.3	6.9	11.0	8.4	6.9	9.4	8.6	6.9	-	121
126	10.0	7.8	6.7	10.4	8.0	6.8	10.9	8.2	6.8	9.4	8.3	6.8	-	126
131	9.7	7.4	6.3	9.9	7.7	6.6	10.3	7.9	6.6	9.4	8.1	6.8	-	131
136	9.2	7.3	6.2	9.5	7.5	6.4	10.0	7.8	6.4	9.4	7.8	6.7	-	136
141	8.8	7.1	6.1	9.2	7.2	6.2	9.6	7.5	6.2	9.4	7.6	6.5	-	141
146	8.4	6.9	6.1	8.8	7.0	6.1	9.1	7.2	6.1	9.4	7.4	6.3	-	146
151	8.1	6.6	5.9	8.3	6.8	5.9	8.8	7.0	6.1	9.2	7.2	6.1	-	151
156	7.8	6.4	5.7	8.1	6.6	5.7	8.4	6.8	5.9	8.9	6.9	5.9	-	156
161	7.4	6.2	5.6	7.9	6.4	5.7	8.1	6.7	5.8	8.5	6.7	5.9	-	161
166	7.1	6.0	5.4	7.5	6.2	5.6	7.8	6.5	5.6	8.1	6.5	5.8	-	166
171	6.8	5.9	5.2	7.2	6.1	5.5	7.7	6.3	5.5	7.6	6.3	5.7	-	171
176	6.6	5.7	5.2	6.9	5.9	5.3	7.3	6.1	5.5	7.0	6.1	5.5	-	176
181	6.3	5.6	5.1	6.7	5.8	5.2	7.0	6.0	5.3	6.7	6.0	5.5	-	181
186	6.0	5.4	5.0	6.5	5.6	5.1	6.6	5.8	5.2	6.4	5.8	5.4	-	186
191	5.9	5.2	5.0	6.3	5.5	5.0	6.3	5.7	5.2	6.0	5.7	5.2	-	191
196	5.7	5.0	4.8	6.0	5.2	5.0	6.0	5.5	5.0	5.3	5.7	5.2	-	196
201	5.6	4.9	-	5.8	5.1	4.9	5.8	5.3	5.0	4.8	5.6	5.1	-	201
206	5.3	4.8	-	5.5	5.0	4.8	5.4	5.1	4.9	4.3	5.3	5.0	-	206
211	5.0	4.8	-	5.2	5.0	-	4.9	5.0	-	3.8	4.9	5.0	-	211
216	4.8	4.6	-	5.0	4.8	-	4.4	5.0	-	3.3	4.4	4.8	-	216
221	4.7	4.5	-	4.7	4.7	-	3.9	4.7	-	3.0	3.9	4.5	-	221
226	4.5	-	-	4.4	4.6	-	3.5	4.3	-	2.5	3.4	-	-	226
231	4.3	-	-	4.0	4.5	-	3.2	3.8	-	-	2.9	-	-	231
236	4.1	-	-	3.5	4.1	-	2.8	3.5	-	-	2.6	-	-	236
241	-	-	-	3.1	-	-	2.4	3.0	-	-	-	-	-	241
246	-	-	-	2.8	-	-	-	2.6	-	-	-	-	-	246
249	-	-	-	2.6	-	-	-	2.4	-	-	-	-	-	249

Operation

109,400 lbs		30.55 ft x 27.2 ft			23.3 ft + 75.1 ft			360°			ASME B30.5				
		211.3 ft			225.1 ft			238.9 ft			259.3 ft				
		0°	20°	40°	0°	20°	40°	0°	20°	40°	0°	20°	40°		
ft		1,000 lbs												ft	
56		7.7	-	-	-	-	-	-	-	-	-	-	-	56	
61		8.3	-	-	7.2	-	-	6.1	-	-	-	-	-	61	
66		8.3	8.3	-	7.2	7.2	-	6.1	6.1	-	5.5	-	-	66	
71		8.3	8.3	-	7.2	7.2	-	6.1	6.1	-	5.5	-	-	71	
76		8.3	8.3	-	7.2	7.2	-	6.1	6.1	-	5.5	5.5	-	76	
81		8.3	8.3	-	7.2	7.2	-	6.1	6.1	-	5.5	5.5	-	81	
86		8.3	8.3	8.3	7.2	7.2	-	6.1	6.1	-	5.5	5.5	-	86	
91		8.3	8.3	8.1	7.2	7.2	-	6.1	6.1	-	5.5	5.5	-	91	
96		8.3	8.3	8.0	7.2	7.2	7.2	6.1	6.1	5.6	5.5	5.5	-	96	
101		8.3	8.3	7.8	7.2	7.2	7.2	6.1	6.1	5.4	5.5	5.5	5.1	101	
106		8.3	8.3	7.6	7.2	7.2	7.2	6.1	6.0	5.1	5.5	5.5	5.0	106	
111		8.3	8.3	7.2	7.2	7.2	7.2	6.1	5.7	4.8	5.5	5.5	4.8	111	
116		8.3	8.3	7.1	7.2	7.2	7.1	6.1	5.6	4.7	5.5	5.5	4.7	116	
121		8.3	8.3	7.0	7.2	7.2	7.0	6.1	5.4	4.5	5.5	5.4	4.5	121	
126		8.3	8.3	7.0	7.2	7.2	7.0	6.1	5.1	4.4	5.5	5.2	4.4	126	
131		8.3	8.1	6.8	7.2	7.2	6.8	5.9	4.8	4.4	5.5	5.0	4.4	131	
136		8.3	8.0	6.7	7.2	7.2	6.7	5.8	4.7	4.2	5.5	4.7	4.2	136	
141		8.3	7.7	6.5	7.2	7.2	6.5	5.5	4.5	4.0	5.5	4.5	4.0	141	
146		8.3	7.4	6.3	7.2	7.2	6.3	5.2	4.3	3.9	5.4	4.3	3.9	146	
151		8.3	7.2	6.1	7.2	7.2	6.1	5.0	4.1	3.7	5.2	4.1	3.7	151	
156		8.3	7.0	5.9	7.2	7.0	6.1	4.8	3.9	3.5	5.0	4.1	3.7	156	
161		8.0	6.9	5.9	7.2	6.9	6.0	4.6	3.8	3.5	4.8	4.0	3.6	161	
166		7.5	6.7	5.8	7.0	6.7	5.8	4.3	3.6	3.4	4.5	3.8	3.4	166	
171		7.2	6.6	5.7	6.5	6.6	5.7	4.1	3.5	3.3	4.4	3.7	3.3	171	
176		6.9	6.4	5.7	5.9	6.4	5.7	3.9	3.5	3.1	4.2	3.5	3.3	176	
181		6.3	6.2	5.6	5.2	6.3	5.6	3.8	3.4	3.0	4.0	3.4	3.1	181	
186		5.6	6.0	5.4	4.5	6.1	5.5	3.6	3.2	2.9	3.8	3.3	2.9	186	
191		4.9	5.9	5.2	3.8	5.6	5.5	3.5	3.0	2.8	3.6	3.3	2.8	191	
196		4.5	5.7	5.2	3.4	4.9	5.2	3.3	2.8	2.8	3.1	3.0	2.8	196	
201		4.0	5.3	5.1	3.1	4.2	5.1	3.0	2.8	2.7	2.6	2.9	2.7	201	
206		3.4	4.8	5.0	2.9	3.7	4.8	2.6	2.7	2.6	-	2.8	2.6	206	
211		2.9	4.3	4.9	2.8	3.2	4.3	-	2.6	2.6	-	2.8	2.6	211	
216		2.4	3.6	4.4	2.6	2.7	3.6	-	2.6	2.4	-	2.6	2.4	216	
221		2.4	3.0	3.9	2.3	2.5	3.0	-	2.5	2.4	-	-	2.4	221	
226		2.3	2.6	3.4	-	2.3	2.5	-	-	2.3	-	-	2.3	226	
231		-	-	2.9	-	2.2	-	-	-	-	-	-	-	231	
236		-	-	2.4	-	2.2	-	-	-	-	-	-	-	236	



Operation

176,400 lbs		30.55 ft x 27.2 ft			3.6 ft + 94.8 ft			360°			ASME B30.5		
ft	44.4 ft			58.2 ft			73.5 ft			87.3 ft			ft
	0°	20°	40°	0°	20°	40°	0°	20°	40°	0°	20°	40°	
1,000 lbs													
17	18.9	-	-	-	-	-	-	-	-	-	-	-	17
19	18.9	-	-	-	-	-	-	-	-	-	-	-	19
21	18.9	-	-	18.7	-	-	19.1	-	-	-	-	-	21
26	18.5	-	-	18.7	-	-	18.9	-	-	18.2	-	-	26
31	17.3	-	-	17.7	-	-	17.9	-	-	17.9	-	-	31
36	16.3	-	-	16.7	-	-	17.1	-	-	17.1	-	-	36
41	15.3	-	-	16.0	-	-	16.2	-	-	16.4	-	-	41
46	14.5	12.5	-	14.9	12.7	-	15.4	12.7	-	15.6	12.1	-	46
51	13.7	11.8	-	14.3	11.9	-	14.7	12.1	-	14.9	11.9	-	51
56	12.8	11.0	-	13.6	11.3	-	14.0	11.5	-	14.2	11.5	-	56
61	12.0	10.3	-	12.9	10.7	-	13.3	10.9	-	13.6	11.0	-	61
66	11.3	9.6	-	12.2	10.0	-	12.7	10.3	-	13.2	10.5	-	66
71	10.7	9.0	-	11.6	9.4	-	12.2	9.8	-	12.6	10.0	-	71
76	9.9	8.4	-	10.9	8.8	-	11.6	9.3	-	12.1	9.6	-	76
81	9.1	7.9	6.8	10.2	8.3	6.9	11.0	8.8	7.1	11.7	9.2	7.1	81
86	8.4	7.3	6.3	9.6	7.8	6.6	10.4	8.2	6.7	11.1	8.7	6.8	86
91	7.8	6.9	6.1	8.9	7.3	6.3	10.0	7.8	6.4	10.6	8.2	6.6	91
96	7.3	6.5	5.8	8.4	6.9	6.0	9.3	7.4	6.2	10.1	7.8	6.3	96
101	6.8	6.1	5.6	7.8	6.6	5.8	8.7	7.0	5.9	9.6	7.5	6.0	101
106	6.5	5.8	5.4	7.3	6.2	5.6	8.2	6.7	5.7	9.1	7.1	5.9	106
111	6.0	5.5	5.0	6.8	5.9	5.2	7.7	6.3	5.5	8.6	6.8	5.7	111
116	5.6	5.3	4.9	6.5	5.8	5.1	7.2	6.2	5.3	8.1	6.5	5.6	116
121	5.3	5.0	4.7	6.1	5.5	4.9	6.8	5.9	5.1	7.6	6.2	5.4	121
126	4.9	4.8	-	5.8	5.2	4.8	6.5	5.7	5.0	7.1	6.0	5.2	126
131	4.6	4.6	-	5.5	5.0	4.8	6.1	5.5	4.8	6.8	5.7	5.0	131
136	-	-	-	5.1	4.9	-	5.8	5.3	4.8	6.4	5.6	4.9	136
141	-	-	-	4.8	4.7	-	5.5	5.0	4.7	6.1	5.4	4.8	141
146	-	-	-	-	-	-	5.2	4.8	-	5.9	5.2	4.8	146
151	-	-	-	-	-	-	5.0	4.6	-	5.7	5.0	-	151
156	-	-	-	-	-	-	4.7	4.6	-	5.3	4.8	-	156
161	-	-	-	-	-	-	-	-	-	5.1	4.7	-	161
166	-	-	-	-	-	-	-	-	-	4.9	4.6	-	166

Operation

176,400 lbs		30.55 ft x 27.2 ft			3.6 ft + 94.8 ft			360°			ASME B30.5		
ft	101.1 ft			114.9 ft			128.6 ft			142.4 ft			ft
	0°	20°	40°	0°	20°	40°	0°	20°	40°	0°	20°	40°	
1,000 lbs													
31	17.8	-	-	17.1	-	-	15.7	-	-	-	-	-	31
36	17.1	-	-	16.7	-	-	16.3	-	-	14.5	-	-	36
41	16.5	-	-	16.3	-	-	15.9	-	-	14.5	-	-	41
46	15.8	-	-	15.6	-	-	15.4	-	-	14.5	-	-	46
51	15.1	-	-	15.1	-	-	14.9	-	-	14.3	-	-	51
56	14.5	11.5	-	14.6	11.4	-	14.4	11.0	-	14.0	-	-	56
61	13.9	11.0	-	14.0	11.0	-	13.9	10.9	-	13.6	10.7	-	61
66	13.4	10.5	-	13.4	10.5	-	13.4	10.5	-	13.2	10.3	-	66
71	12.8	10.2	-	13.1	10.2	-	13.1	10.2	-	12.8	10.0	-	71
76	12.3	9.9	-	12.6	9.9	-	12.6	9.9	-	12.5	9.8	-	76
81	11.9	9.5	7.1	12.1	9.5	-	12.2	9.5	-	12.1	9.5	-	81
86	11.4	8.9	7.0	11.6	9.2	7.0	11.8	9.2	7.0	11.6	9.2	7.0	86
91	11.1	8.6	6.7	11.3	8.9	6.8	11.5	8.9	6.8	11.3	8.9	6.8	91
96	10.6	8.2	6.4	10.9	8.5	6.5	11.1	8.6	6.7	10.9	8.6	6.7	96
101	10.1	7.8	6.2	10.5	8.1	6.2	10.8	8.3	6.5	10.7	8.3	6.5	101
106	9.8	7.4	6.1	10.0	7.8	6.1	10.4	8.0	6.3	10.4	8.1	6.3	106
111	9.3	7.2	5.9	9.7	7.4	5.9	10.1	7.7	6.1	10.1	7.9	6.1	111
116	8.7	6.9	5.8	9.4	7.1	5.8	9.8	7.5	6.0	9.8	7.6	6.0	116
121	8.3	6.6	5.6	9.0	6.9	5.6	9.5	7.2	5.8	9.5	7.3	5.8	121
126	8.0	6.3	5.4	8.7	6.7	5.4	9.1	7.0	5.7	9.2	7.1	5.7	126
131	7.4	6.1	5.2	8.1	6.3	5.2	8.8	6.8	5.5	9.0	6.8	5.5	131
136	7.1	6.0	5.1	7.8	6.2	5.2	8.4	6.4	5.3	8.6	6.7	5.5	136
141	6.8	5.7	4.9	7.5	6.0	5.1	8.0	6.2	5.2	8.3	6.5	5.4	141
146	6.5	5.4	4.8	7.1	5.9	5.0	7.6	6.1	5.2	8.0	6.3	5.2	146
151	6.1	5.2	4.8	6.8	5.7	4.8	7.2	5.9	5.0	7.7	6.1	5.0	151
156	5.9	5.0	4.6	6.4	5.5	4.8	7.0	5.7	4.8	7.5	5.9	5.0	156
161	5.7	4.9	4.6	6.2	5.3	4.7	6.8	5.6	4.8	7.2	5.8	4.9	161
166	5.4	4.8	-	6.0	5.1	4.6	6.4	5.4	4.7	6.9	5.6	4.8	166
171	5.2	4.8	-	5.7	5.0	-	6.1	5.2	4.6	6.6	5.5	4.8	171
176	5.0	4.6	-	5.5	4.8	-	5.9	5.0	4.6	6.4	5.3	4.6	176
181	4.8	4.5	-	5.3	4.7	-	5.8	4.9	4.6	6.2	5.1	4.6	181
186	-	-	-	5.1	4.6	-	5.5	4.8	-	6.0	5.0	4.6	186
191	-	-	-	4.8	-	-	5.2	4.8	-	5.7	5.0	-	191
196	-	-	-	4.6	-	-	5.0	4.6	-	5.5	4.8	-	196
201	-	-	-	-	-	-	4.9	-	-	5.3	4.7	-	201
206	-	-	-	-	-	-	4.7	-	-	5.1	4.6	-	206
211	-	-	-	-	-	-	-	-	-	5.0	-	-	211
216	-	-	-	-	-	-	-	-	-	4.8	-	-	216
221	-	-	-	-	-	-	-	-	-	4.7	-	-	221

Operation

176,400 lbs		30.55 ft x 27.2 ft			3.6 ft + 94.8 ft			360°			ASME B30.5		
ft	156.2 ft			170.0 ft			183.8 ft			197.5 ft			ft
	0°	20°	40°	0°	20°	40°	0°	20°	40°	0°	20°	40°	
1,000 lbs													
41	13.2	-	-	9.9	-	-	-	-	-	-	-	-	41
46	13.2	-	-	11.6	-	-	10.3	-	-	-	-	-	46
51	13.2	-	-	11.6	-	-	10.3	-	-	-	-	-	51
56	13.2	-	-	11.6	-	-	10.3	-	-	9.0	-	-	56
61	13.1	10.4	-	11.6	9.5	-	10.3	-	-	9.0	-	-	61
66	12.7	10.1	-	11.6	9.9	-	10.3	9.4	-	9.0	9.0	-	66
71	12.4	9.8	-	11.6	9.5	-	10.3	9.2	-	9.0	8.8	-	71
76	12.1	9.5	-	11.5	9.3	-	10.3	9.0	-	9.0	8.6	-	76
81	11.7	9.3	-	11.3	9.1	-	10.3	8.7	-	9.0	8.4	-	81
86	11.4	9.0	-	11.2	8.8	-	10.3	8.5	-	9.0	8.3	-	86
91	11.2	8.8	-	10.9	8.5	-	10.3	8.3	-	9.0	8.1	-	91
96	10.9	8.6	6.7	10.6	8.4	6.7	10.2	8.2	-	9.0	8.0	-	96
101	10.6	8.3	6.5	10.3	8.2	6.5	10.0	8.0	6.5	9.0	7.8	6.5	101
106	10.3	8.1	6.3	10.1	8.1	6.3	9.8	7.9	6.3	9.0	7.7	6.3	106
111	10.1	7.9	6.1	9.9	7.9	6.1	9.4	7.7	6.1	9.0	7.4	6.1	111
116	9.8	7.8	6.0	9.6	7.8	6.0	9.3	7.5	6.0	8.9	7.3	6.0	116
121	9.6	7.5	5.8	9.3	7.6	5.9	9.1	7.3	5.9	8.7	7.2	5.9	121
126	9.3	7.2	5.7	9.2	7.4	5.9	9.0	7.2	5.9	8.5	7.2	5.9	126
131	9.0	7.0	5.7	9.0	7.2	5.7	8.8	7.0	5.7	8.5	7.0	5.7	131
136	8.9	6.9	5.6	8.9	7.1	5.6	8.6	6.9	5.6	8.4	6.9	5.6	136
141	8.7	6.7	5.4	8.7	6.8	5.5	8.4	6.8	5.5	8.2	6.7	5.5	141
146	8.4	6.5	5.2	8.4	6.5	5.4	8.3	6.8	5.4	8.1	6.5	5.4	146
151	8.1	6.3	5.2	8.1	6.3	5.2	8.1	6.6	5.2	7.9	6.3	5.2	151
156	7.9	6.1	5.0	7.9	6.1	5.0	7.9	6.4	5.2	7.7	6.3	5.2	156
161	7.6	6.0	5.0	7.8	6.0	5.0	7.8	6.2	5.1	7.5	6.2	5.1	161
166	7.3	5.8	4.9	7.6	5.9	4.9	7.6	6.0	5.0	7.4	6.1	5.0	166
171	7.0	5.7	4.8	7.4	5.9	4.8	7.4	5.9	5.0	7.4	6.1	5.0	171
176	6.8	5.5	4.8	7.1	5.7	4.8	7.2	5.7	4.8	7.2	5.9	4.8	176
181	6.5	5.3	4.7	6.9	5.6	4.8	7.1	5.7	4.8	7.1	5.8	4.8	181
186	6.2	5.2	4.6	6.7	5.4	4.7	6.9	5.6	4.8	6.9	5.6	4.8	186
191	6.1	5.2	4.6	6.5	5.2	4.6	6.8	5.5	4.8	6.8	5.5	4.8	191
196	5.9	5.0	4.6	6.2	5.2	4.6	6.6	5.2	4.6	6.8	5.5	4.6	196
201	5.8	4.9	-	6.0	5.1	4.6	6.4	5.2	4.6	6.7	5.3	4.6	201
206	5.6	4.8	-	5.8	4.9	4.5	6.2	5.1	4.6	6.5	5.2	4.6	206
211	5.5	4.8	-	5.7	4.8	-	6.1	5.0	4.6	6.3	5.2	4.6	211
216	5.2	4.6	-	5.5	4.8	-	5.9	4.8	4.4	6.1	5.0	4.6	216
221	5.1	4.6	-	5.3	4.7	-	5.8	4.8	4.4	6.0	4.9	4.5	221
226	4.9	-	-	5.1	4.6	-	5.6	4.7	-	5.8	4.8	-	226
231	4.8	-	-	5.0	4.6	-	5.4	4.6	-	5.7	4.8	-	231
236	4.6	-	-	4.8	4.4	-	5.2	4.6	-	5.5	4.8	-	236
241	-	-	-	4.8	-	-	5.1	4.6	-	5.3	4.7	-	241
246	-	-	-	4.7	-	-	4.9	4.5	-	5.1	4.6	-	246
251	-	-	-	-	-	-	4.7	-	-	5.0	4.5	-	251
256	-	-	-	-	-	-	4.6	-	-	5.0	4.4	-	256
261	-	-	-	-	-	-	4.6	-	-	4.5	4.4	-	261
266	-	-	-	-	-	-	-	-	-	4.3	-	-	266
271	-	-	-	-	-	-	-	-	-	4.1	-	-	271

Operation

176,400 lbs		30.55 ft x 27.2 ft			3.6 ft + 94.8 ft			360°			ASME B30.5		
ft	211.3 ft			225.1 ft			238.9 ft			259.3 ft			ft
	0°	20°	40°	0°	20°	40°	0°	20°	40°	0°	20°	40°	
1,000 lbs													
56	7.8	-	-	-	-	-	-	-	-	-	-	-	56
61	7.9	-	-	6.8	-	-	-	-	-	-	-	-	61
66	7.9	-	-	6.8	-	-	5.9	-	-	5.2	-	-	66
71	7.9	-	-	6.8	-	-	5.9	-	-	5.2	-	-	71
76	7.9	7.9	-	6.8	6.8	-	5.9	-	-	5.2	-	-	76
81	7.9	7.9	-	6.8	6.8	-	5.9	5.9	-	5.2	-	-	81
86	7.9	7.9	-	6.8	6.8	-	5.9	5.9	-	5.2	5.2	-	86
91	7.9	7.7	-	6.8	6.8	-	5.9	5.9	-	5.2	5.2	-	91
96	7.9	7.5	-	6.8	6.8	-	5.9	5.9	-	5.2	5.2	-	96
101	7.9	7.3	-	6.8	6.8	-	5.9	5.7	-	5.2	5.2	-	101
106	7.9	7.2	6.3	6.8	6.8	6.3	5.9	5.5	-	5.2	5.2	-	106
111	7.9	7.2	6.1	6.8	6.8	6.1	5.9	5.2	-	5.2	5.2	-	111
116	7.9	7.1	6.0	6.8	6.7	6.0	5.9	5.1	4.1	5.2	5.1	-	116
121	7.9	6.9	5.9	6.8	6.6	5.9	5.9	4.9	4.0	5.2	4.9	3.9	121
126	7.9	6.8	5.9	6.8	6.5	5.9	5.9	4.8	3.9	5.2	4.8	3.9	126
131	7.9	6.8	5.7	6.8	6.3	5.7	5.9	4.6	3.7	5.2	4.6	3.7	131
136	7.9	6.7	5.7	6.8	6.3	5.6	5.8	4.5	3.6	5.2	4.5	3.6	136
141	7.8	6.5	5.6	6.8	6.2	5.5	5.6	4.3	3.5	5.2	4.3	3.5	141
146	7.7	6.3	5.4	6.8	6.1	5.4	5.4	4.1	3.5	5.2	4.1	3.5	146
151	7.7	6.3	5.2	6.8	6.1	5.2	5.2	3.9	3.3	5.2	3.9	3.3	151
156	7.5	6.1	5.2	6.8	5.9	5.2	4.9	3.7	3.3	5.0	3.9	3.3	156
161	7.3	6.1	5.1	6.8	5.9	5.2	4.7	3.6	3.1	4.9	3.8	3.1	161
166	7.1	6.0	5.0	6.8	5.8	5.1	4.5	3.5	2.9	4.7	3.6	3.0	166
171	7.0	5.9	5.0	6.8	5.7	5.0	4.4	3.5	2.8	4.6	3.5	3.0	171
176	7.0	5.7	5.0	6.6	5.7	5.0	4.2	3.3	2.8	4.4	3.3	2.8	176
181	6.9	5.7	4.9	6.6	5.6	4.9	4.0	3.1	2.7	4.2	3.3	2.8	181
186	6.8	5.6	4.8	6.5	5.5	4.8	3.8	3.0	2.6	4.0	3.2	2.7	186
191	6.8	5.5	4.8	6.3	5.5	4.8	3.7	3.0	2.6	3.9	3.0	2.6	191
196	6.6	5.5	4.8	6.1	5.2	4.8	3.5	2.8	2.6	3.7	3.0	2.6	196
201	6.4	5.5	4.7	6.0	5.2	4.7	3.4	2.8	2.5	3.6	2.9	2.5	201
206	6.3	5.4	4.6	5.9	5.2	4.6	3.3	2.7	2.4	3.5	2.7	2.4	206
211	6.3	5.2	4.6	5.9	5.2	4.6	3.3	2.6	2.4	3.5	2.6	2.4	211
216	6.1	5.0	4.6	5.7	5.0	4.6	3.0	2.6	2.2	3.3	2.6	2.4	216
221	6.1	5.0	4.6	5.6	5.0	4.6	2.9	2.5	2.2	3.1	2.6	2.3	221
226	6.0	4.9	4.5	5.5	4.9	4.5	2.7	2.4	2.2	2.9	2.5	2.2	226
231	5.8	4.8	4.4	5.4	4.8	4.4	2.6	2.4	-	2.8	2.4	2.2	231
236	5.5	4.8	4.4	5.2	4.8	4.4	2.6	2.2	-	2.6	2.4	2.2	236
241	5.1	4.8	-	5.1	4.8	-	2.5	2.2	-	2.5	2.3	-	241
246	4.9	4.7	-	4.7	4.7	-	2.4	-	-	2.3	2.2	-	246
251	4.7	4.6	-	4.2	4.5	-	2.3	-	-	2.2	-	-	251
256	4.6	4.6	-	3.7	4.4	-	2.2	-	-	-	-	-	256
261	4.4	4.2	-	3.4	4.4	-	2.2	-	-	-	-	-	261
266	4.2	4.0	-	3.1	4.0	-	-	-	-	-	-	-	266
271	3.8	4.0	-	2.7	3.5	-	-	-	-	-	-	-	271
276	3.5	-	-	-	-	-	-	-	-	-	-	-	276
281	3.1	-	-	-	-	-	-	-	-	-	-	-	281
286	2.8	-	-	-	-	-	-	-	-	-	-	-	286
289	2.6	-	-	-	-	-	-	-	-	-	-	-	289

Operation

109,400 lbs		30.55 ft x 27.2 ft			3.6 ft + 94.8 ft			360°			ASME B30.5		
ft	44.4 ft			58.2 ft			73.5 ft			87.3 ft			ft
	0°	20°	40°	0°	20°	40°	0°	20°	40°	0°	20°	40°	
1,000 lbs													
17	18.9	-	-	-	-	-	-	-	-	-	-	-	17
19	18.9	-	-	-	-	-	-	-	-	-	-	-	19
21	18.9	-	-	18.7	-	-	19.1	-	-	-	-	-	21
26	18.5	-	-	18.7	-	-	18.9	-	-	18.2	-	-	26
31	17.3	-	-	17.7	-	-	17.9	-	-	17.9	-	-	31
36	16.3	-	-	16.7	-	-	17.1	-	-	17.1	-	-	36
41	15.3	-	-	16.0	-	-	16.2	-	-	16.4	-	-	41
46	14.5	12.5	-	14.9	12.7	-	15.4	12.7	-	15.6	12.1	-	46
51	13.7	11.8	-	14.3	11.9	-	14.7	12.1	-	14.9	11.9	-	51
56	12.8	11.0	-	13.6	11.3	-	14.0	11.5	-	14.2	11.5	-	56
61	12.0	10.3	-	12.9	10.7	-	13.3	10.9	-	13.6	11.0	-	61
66	11.3	9.6	-	12.2	10.0	-	12.7	10.3	-	13.2	10.5	-	66
71	10.7	9.0	-	11.6	9.4	-	12.2	9.8	-	12.6	10.0	-	71
76	9.9	8.4	-	10.9	8.8	-	11.6	9.3	-	12.1	9.6	-	76
81	9.1	7.9	6.8	10.2	8.3	6.9	11.0	8.8	7.1	11.7	9.2	7.1	81
86	8.4	7.3	6.3	9.6	7.8	6.6	10.4	8.2	6.7	11.1	8.7	6.8	86
91	7.8	6.9	6.1	8.9	7.3	6.3	10.0	7.8	6.4	10.6	8.2	6.6	91
96	7.3	6.5	5.8	8.4	6.9	6.0	9.3	7.4	6.2	10.1	7.8	6.3	96
101	6.8	6.1	5.6	7.8	6.6	5.8	8.7	7.0	5.9	9.6	7.5	6.0	101
106	6.5	5.8	5.4	7.3	6.2	5.6	8.2	6.7	5.7	9.1	7.1	5.9	106
111	6.0	5.5	5.0	6.8	5.9	5.2	7.7	6.3	5.5	8.6	6.8	5.7	111
116	5.6	5.3	4.9	6.5	5.8	5.1	7.2	6.2	5.3	8.1	6.5	5.6	116
121	5.3	5.0	4.7	6.1	5.5	4.9	6.8	5.9	5.1	7.6	6.2	5.4	121
126	4.9	4.8	-	5.8	5.2	4.8	6.5	5.7	5.0	7.1	6.0	5.2	126
131	4.6	4.6	-	5.5	5.0	4.8	6.1	5.5	4.8	6.8	5.7	5.0	131
136	-	-	-	5.1	4.9	-	5.8	5.3	4.8	6.4	5.6	4.9	136
141	-	-	-	4.8	4.7	-	5.5	5.0	4.7	6.1	5.4	4.8	141
146	-	-	-	-	-	-	5.2	4.8	-	5.9	5.2	4.8	146
151	-	-	-	-	-	-	5.0	4.6	-	5.7	5.0	-	151
156	-	-	-	-	-	-	4.7	4.6	-	5.3	4.8	-	156
161	-	-	-	-	-	-	-	-	-	5.1	4.7	-	161
166	-	-	-	-	-	-	-	-	-	4.9	4.6	-	166

109,400 lbs		30.55 ft x 27.2 ft			3.6 ft + 94.8 ft			360°			ASME B30.5		
ft	101.1 ft			114.9 ft			128.6 ft			142.4 ft			ft
	0°	20°	40°	0°	20°	40°	0°	20°	40°	0°	20°	40°	
1,000 lbs													
31	17.8	-	-	17.1	-	-	15.7	-	-	-	-	-	31
36	17.1	-	-	16.7	-	-	16.3	-	-	14.5	-	-	36
41	16.5	-	-	16.3	-	-	15.9	-	-	14.5	-	-	41
46	15.8	-	-	15.6	-	-	15.4	-	-	14.5	-	-	46
51	15.1	-	-	15.1	-	-	14.9	-	-	14.3	-	-	51
56	14.5	11.5	-	14.6	11.4	-	14.4	11.0	-	14.0	-	-	56
61	13.9	11.0	-	14.0	11.0	-	13.9	10.9	-	13.6	10.7	-	61
66	13.4	10.5	-	13.4	10.5	-	13.4	10.5	-	13.2	10.3	-	66
71	12.8	10.2	-	13.1	10.2	-	13.1	10.2	-	12.8	10.0	-	71
76	12.3	9.9	-	12.6	9.9	-	12.6	9.9	-	12.5	9.8	-	76
81	11.9	9.5	7.1	12.1	9.5	-	12.2	9.5	-	12.1	9.5	-	81
86	11.4	8.9	7.0	11.6	9.2	7.0	11.8	9.2	7.0	11.6	9.2	7.0	86
91	11.1	8.6	6.7	11.3	8.9	6.8	11.5	8.9	6.8	11.3	8.9	6.8	91
96	10.6	8.2	6.4	10.9	8.5	6.5	11.1	8.6	6.7	10.9	8.6	6.7	96
101	10.1	7.8	6.2	10.5	8.1	6.2	10.8	8.3	6.5	10.7	8.3	6.5	101
106	9.8	7.4	6.1	10.0	7.8	6.1	10.4	8.0	6.3	10.4	8.1	6.3	106
111	9.3	7.2	5.9	9.7	7.4	5.9	10.1	7.7	6.1	10.1	7.9	6.1	111
116	8.7	6.9	5.8	9.4	7.1	5.8	9.8	7.5	6.0	9.8	7.6	6.0	116
121	8.3	6.6	5.6	9.0	6.9	5.6	9.5	7.2	5.8	9.5	7.3	5.8	121
126	8.0	6.3	5.4	8.7	6.7	5.4	9.1	7.0	5.7	9.2	7.1	5.7	126
131	7.4	6.1	5.2	8.1	6.3	5.2	8.8	6.8	5.5	9.0	6.8	5.5	131
136	7.1	6.0	5.1	7.8	6.2	5.2	8.4	6.4	5.3	8.6	6.7	5.5	136
141	6.8	5.7	4.9	7.5	6.0	5.1	8.0	6.2	5.2	8.3	6.5	5.4	141
146	6.5	5.4	4.8	7.1	5.9	5.0	7.6	6.1	5.2	8.0	6.3	5.2	146
151	6.1	5.2	4.8	6.8	5.7	4.8	7.2	5.9	5.0	7.7	6.1	5.0	151
156	5.9	5.0	4.6	6.4	5.5	4.8	7.0	5.7	4.8	7.5	5.9	5.0	156
161	5.7	4.9	4.6	6.2	5.3	4.7	6.8	5.6	4.8	7.2	5.8	4.9	161
166	5.4	4.8	-	6.0	5.1	4.6	6.4	5.4	4.7	6.9	5.6	4.8	166
171	5.2	4.8	-	5.7	5.0	-	6.1	5.2	4.6	6.6	5.5	4.8	171
176	5.0	4.6	-	5.5	4.8	-	5.9	5.0	4.6	6.4	5.3	4.6	176
181	4.8	4.5	-	5.3	4.7	-	5.8	4.9	4.6	6.2	5.1	4.6	181
186	-	-	-	5.1	4.6	-	5.5	4.8	-	6.0	5.0	4.6	186
191	-	-	-	4.8	-	-	5.2	4.8	-	5.7	5.0	-	191
196	-	-	-	4.6	-	-	5.0	4.6	-	5.5	4.8	-	196
201	-	-	-	-	-	-	4.9	-	-	5.3	4.7	-	201
206	-	-	-	-	-	-	4.7	-	-	5.1	4.6	-	206
211	-	-	-	-	-	-	-	-	-	5.0	-	-	211
216	-	-	-	-	-	-	-	-	-	4.8	-	-	216
221	-	-	-	-	-	-	-	-	-	4.7	-	-	221

Operation

109,400 lbs		30.55 ft x 27.2 ft			3.6 ft + 94.8 ft			360°			ASME B30.5		
ft	156.2 ft			170.0 ft			183.8 ft			197.5 ft			ft
	0°	20°	40°	0°	20°	40°	0°	20°	40°	0°	20°	40°	
1,000 lbs													
41	13.2	-	-	9.9	-	-	-	-	-	-	-	-	41
46	13.2	-	-	11.6	-	-	10.3	-	-	-	-	-	46
51	13.2	-	-	11.6	-	-	10.3	-	-	-	-	-	51
56	13.2	-	-	11.6	-	-	10.3	-	-	9.0	-	-	56
61	13.1	10.4	-	11.6	9.5	-	10.3	-	-	9.0	-	-	61
66	12.7	10.1	-	11.6	9.9	-	10.3	9.4	-	9.0	9.0	-	66
71	12.4	9.8	-	11.6	9.5	-	10.3	9.2	-	9.0	8.8	-	71
76	12.1	9.5	-	11.5	9.3	-	10.3	9.0	-	9.0	8.6	-	76
81	11.7	9.3	-	11.3	9.1	-	10.3	8.7	-	9.0	8.4	-	81
86	11.4	9.0	-	11.2	8.8	-	10.3	8.5	-	9.0	8.3	-	86
91	11.2	8.8	-	10.9	8.5	-	10.3	8.3	-	9.0	8.1	-	91
96	10.9	8.6	6.7	10.6	8.4	6.7	10.2	8.2	-	9.0	8.0	-	96
101	10.6	8.3	6.5	10.3	8.2	6.5	10.0	8.0	6.5	9.0	7.8	6.5	101
106	10.3	8.1	6.3	10.1	8.1	6.3	9.8	7.9	6.3	9.0	7.7	6.3	106
111	10.1	7.9	6.1	9.9	7.9	6.1	9.4	7.7	6.1	9.0	7.4	6.1	111
116	9.8	7.8	6.0	9.6	7.8	6.0	9.3	7.5	6.0	8.9	7.3	6.0	116
121	9.6	7.5	5.8	9.3	7.6	5.9	9.1	7.3	5.9	8.7	7.2	5.9	121
126	9.3	7.2	5.7	9.2	7.4	5.9	9.0	7.2	5.9	8.5	7.2	5.9	126
131	9.0	7.0	5.7	9.0	7.2	5.7	8.8	7.0	5.7	8.5	7.0	5.7	131
136	8.9	6.9	5.6	8.9	7.1	5.6	8.6	6.9	5.6	8.4	6.9	5.6	136
141	8.7	6.7	5.4	8.7	6.8	5.5	8.4	6.8	5.5	8.2	6.7	5.5	141
146	8.4	6.5	5.2	8.4	6.5	5.4	8.3	6.8	5.4	8.1	6.5	5.4	146
151	8.1	6.3	5.2	8.1	6.3	5.2	8.1	6.6	5.2	7.9	6.3	5.2	151
156	7.9	6.1	5.0	7.9	6.1	5.0	7.9	6.4	5.2	7.7	6.3	5.2	156
161	7.6	6.0	5.0	7.8	6.0	5.0	7.6	6.2	5.1	7.5	6.2	5.1	161
166	7.3	5.8	4.9	7.5	5.9	4.9	7.3	6.0	5.0	7.3	6.1	5.0	166
171	7.0	5.7	4.8	7.2	5.9	4.8	7.2	5.9	5.0	7.2	6.1	5.0	171
176	6.8	5.5	4.8	7.0	5.7	4.8	7.0	5.7	4.8	7.0	5.9	4.8	176
181	6.5	5.3	4.7	6.9	5.6	4.8	6.9	5.7	4.8	6.8	5.8	4.8	181
186	6.2	5.2	4.6	6.7	5.4	4.7	6.6	5.6	4.8	6.5	5.6	4.8	186
191	6.1	5.2	4.6	6.5	5.2	4.6	6.3	5.5	4.8	6.2	5.5	4.8	191
196	5.9	5.0	4.6	6.2	5.2	4.6	6.1	5.2	4.6	5.6	5.5	4.6	196
201	5.8	4.9	-	6.0	5.1	4.6	5.8	5.2	4.6	5.1	5.3	4.6	201
206	5.6	4.8	-	5.7	4.9	4.5	5.5	5.1	4.6	4.5	5.1	4.6	206
211	5.4	4.8	-	5.5	4.8	-	5.1	5.0	4.6	4.0	5.0	4.6	211
216	5.0	4.6	-	5.2	4.8	-	4.6	4.8	4.4	3.5	4.8	4.6	216
221	5.0	4.6	-	4.9	4.7	-	4.1	4.8	3.9	3.2	4.3	4.5	221
226	4.8	-	-	4.6	4.6	-	3.7	4.6	-	2.7	3.8	-	226
231	4.6	-	-	4.3	4.6	-	3.4	4.3	-	2.4	3.4	-	231
236	4.4	-	-	3.7	4.4	-	3.0	3.7	-	2.2	3.0	-	236
241	-	-	-	3.4	-	-	2.6	3.4	-	-	2.6	-	241
246	-	-	-	3.1	-	-	-	3.0	-	-	-	-	246
249	-	-	-	2.8	-	-	-	2.6	-	-	-	-	249

109,400 lbs		30.55 ft x 27.2 ft			3.6 ft + 94.8 ft			360°			ASME B30.5			
		211.3 ft			225.1 ft			238.9 ft			259.3 ft			
		0°	20°	40°	0°	20°	40°	0°	20°	40°	0°	20°	40°	
ft		1,000 lbs											ft	
56	7.8	-	-	-	-	-	-	-	-	-	-	-	-	56
61	7.9	-	-	-	6.8	-	-	-	-	-	-	-	-	61
66	7.9	-	-	-	6.8	-	-	5.9	-	-	5.2	-	-	66
71	7.9	-	-	-	6.8	-	-	5.9	-	-	5.2	-	-	71
76	7.9	7.9	-	-	6.8	6.8	-	5.9	-	-	5.2	-	-	76
81	7.9	7.9	-	-	6.8	6.8	-	5.9	5.9	-	5.2	-	-	81
86	7.9	7.9	-	-	6.8	6.8	-	5.9	5.9	-	5.2	5.2	-	86
91	7.9	7.7	-	-	6.8	6.8	-	5.9	5.9	-	5.2	5.2	-	91
96	7.9	7.5	-	-	6.8	6.8	-	5.9	5.9	-	5.2	5.2	-	96
101	7.9	7.3	-	-	6.8	6.8	-	5.9	5.7	-	5.2	5.2	-	101
106	7.9	7.2	6.3	-	6.8	6.8	6.3	5.9	5.5	-	5.2	5.2	-	106
111	7.9	7.2	6.1	-	6.8	6.8	6.1	5.9	5.2	-	5.2	5.2	-	111
116	7.9	7.1	6.0	-	6.8	6.7	6.0	5.9	5.1	4.1	5.2	5.1	-	116
121	7.9	6.9	5.9	-	6.8	6.6	5.9	5.9	4.9	4.0	5.2	4.9	3.9	121
126	7.9	6.8	5.9	-	6.8	6.5	5.9	5.9	4.8	3.9	5.2	4.8	3.9	126
131	7.9	6.8	5.7	-	6.8	6.3	5.7	5.9	4.6	3.7	5.2	4.6	3.7	131
136	7.9	6.7	5.7	-	6.8	6.3	5.6	5.8	4.5	3.6	5.2	4.5	3.6	136
141	7.8	6.5	5.6	-	6.8	6.2	5.5	5.6	4.3	3.5	5.2	4.3	3.5	141
146	7.7	6.3	5.4	-	6.8	6.1	5.4	5.4	4.1	3.5	5.2	4.1	3.5	146
151	7.7	6.3	5.2	-	6.8	6.1	5.2	5.2	3.9	3.3	5.2	3.9	3.3	151
156	7.5	6.1	5.2	-	6.8	5.9	5.2	4.9	3.7	3.3	5.0	3.9	3.3	156
161	7.3	6.1	5.1	-	6.8	5.9	5.2	4.7	3.6	3.1	4.9	3.8	3.1	161
166	7.1	6.0	5.0	-	6.8	5.8	5.1	4.5	3.5	2.9	4.7	3.6	3.0	166
171	7.0	5.9	5.0	-	6.7	5.7	5.0	4.4	3.5	2.8	4.6	3.5	3.0	171
176	6.8	5.7	5.0	-	6.1	5.7	5.0	4.2	3.3	2.8	4.4	3.3	2.8	176
181	6.4	5.7	4.9	-	5.4	5.6	4.9	4.0	3.1	2.7	4.2	3.3	2.8	181
186	5.8	5.6	4.8	-	4.7	5.5	4.8	3.8	3.0	2.6	4.0	3.2	2.7	186
191	5.1	5.5	4.8	-	4.0	5.5	4.8	3.7	3.0	2.6	3.8	3.0	2.6	191
196	4.7	5.5	4.8	-	3.6	5.2	4.8	3.5	2.8	2.6	3.4	3.0	2.6	196
201	4.2	5.3	4.7	-	3.4	4.8	4.7	3.2	2.8	2.5	2.9	2.9	2.5	201
206	3.7	5.0	4.6	-	3.2	4.2	4.6	2.8	2.7	2.4	-	2.7	2.4	206
211	3.2	4.7	4.6	-	3.0	3.6	4.6	-	2.6	2.4	-	2.6	2.4	211
216	2.7	4.2	4.6	-	2.8	3.1	4.4	-	2.6	2.2	-	2.6	2.4	216
221	2.6	3.7	4.5	-	2.5	2.6	3.8	-	2.5	2.2	-	2.5	2.3	221
226	2.5	3.2	4.1	-	-	2.3	3.2	-	2.3	2.2	-	-	2.2	226
231	2.4	2.7	3.5	-	-	2.2	2.7	-	-	-	-	-	2.2	231
236	2.2	2.2	2.8	-	-	2.2	2.2	-	-	-	-	-	2.2	236

Operation

176,400 lbs		30.55 ft x 27.2 ft			3.6 ft + 35.8 ft			360°			ASME B30.5		
ft	44.4 ft			58.2 ft			73.5 ft			87.3 ft			ft
	0°	20°	40°	0°	20°	40°	0°	20°	40°	0°	20°	40°	
1,000 lbs													
10	43.4	-	-	43.4	-	-	-	-	-	-	-	-	10
12	43.4	-	-	43.4	-	-	-	-	-	-	-	-	12
14	43.4	37.2	-	43.4	-	-	43.4	-	-	-	-	-	14
16	43.4	35.7	-	43.4	-	-	43.4	-	-	-	-	-	16
18	43.4	34.5	-	43.4	35.2	-	43.4	35.7	-	43.4	-	-	18
20	43.2	33.3	-	43.4	34.1	-	43.4	34.7	-	43.4	34.9	-	20
25	39.0	30.5	-	42.3	31.6	-	43.4	32.3	-	43.4	32.6	-	25
30	35.1	28.2	23.7	38.7	29.5	24.1	41.7	30.4	24.3	43.2	30.8	24.3	30
35	31.9	26.4	22.6	35.5	27.7	23.1	38.3	28.7	23.3	40.5	29.2	23.5	35
40	29.2	24.7	21.7	32.5	26.0	22.1	35.4	27.1	22.6	37.6	27.8	22.8	40
45	27.0	23.3	20.9	30.1	24.6	21.4	32.9	25.7	21.8	35.1	26.6	22.1	45
50	25.2	22.2	19.9	28.2	23.6	20.8	30.7	24.7	21.2	32.9	25.5	21.4	50
55	23.6	21.0	18.9	26.5	22.6	20.1	28.9	23.7	20.6	31.0	24.5	20.9	55
60	22.1	19.8	18.1	24.9	21.6	19.3	27.2	22.7	20.1	29.2	23.6	20.4	60
65	20.4	18.6	17.5	23.5	20.8	18.6	25.7	21.9	19.5	27.7	22.8	20.0	65
70	18.7	17.8	-	22.3	19.6	17.9	24.5	21.2	18.8	26.5	22.0	19.6	70
75	-	-	-	21.0	18.6	-	23.4	20.4	18.2	25.3	21.3	19.0	75
80	-	-	-	19.6	17.8	-	22.4	19.6	17.7	24.1	20.8	18.4	80
85	-	-	-	18.1	17.1	-	21.4	18.8	17.4	23.2	20.2	18.0	85
90	-	-	-	-	-	-	20.1	18.1	-	22.3	19.4	17.7	90
95	-	-	-	-	-	-	18.8	17.5	-	21.5	18.7	13.0	95
100	-	-	-	-	-	-	-	-	-	20.5	18.1	-	100
105	-	-	-	-	-	-	-	-	-	19.4	17.6	-	105
110	-	-	-	-	-	-	-	-	-	18.3	17.1	-	110

176,400 lbs		30.55 ft x 27.2 ft			3.6 ft + 35.8 ft			360°			ASME B30.5			
		101.1 ft			114.9 ft			128.6 ft			142.4 ft			
		0°	20°	40°	0°	20°	40°	0°	20°	40°	0°	20°	40°	
ft	1,000 lbs												ft	
20	43.4	34.9	-	-	-	-	-	-	-	-	-	-	-	20
25	43.4	32.9	-	43.4	32.8	-	-	32.4	-	-	-	-	-	25
30	43.4	31.2	-	43.4	31.2	-	43.4	31.2	-	43.4	30.7	-	-	30
35	42.1	29.7	23.5	42.7	29.8	23.4	42.8	29.8	-	42.3	29.4	-	-	35
40	39.3	28.3	22.8	40.2	28.5	22.8	40.7	28.5	22.8	40.1	28.3	22.6	-	40
45	36.8	27.0	22.1	37.8	27.3	22.1	38.5	27.5	22.1	38.2	27.3	22.1	-	45
50	34.7	26.0	21.6	35.8	26.2	21.6	36.4	26.5	21.6	36.3	26.4	21.6	-	50
55	32.8	25.0	21.1	34.0	25.3	21.1	34.6	25.6	21.1	34.7	25.6	21.1	-	55
60	31.0	24.0	20.6	32.3	24.4	20.6	32.9	24.8	20.8	33.3	24.8	20.6	-	60
65	29.5	23.2	20.1	30.6	23.6	20.2	31.5	24.1	20.3	31.9	24.1	20.2	-	65
70	28.1	22.5	19.7	29.3	23.0	19.9	30.2	23.3	19.9	30.7	23.4	19.9	-	70
75	26.9	21.9	19.4	28.1	22.4	19.6	29.1	22.6	19.6	29.5	22.7	19.6	-	75
80	25.7	21.4	19.0	26.8	21.8	19.3	27.9	22.1	19.3	28.3	22.1	19.3	-	80
85	24.7	20.7	18.5	25.8	21.1	18.9	26.7	21.6	18.9	27.4	21.6	18.9	-	85
90	23.7	20.2	18.1	24.9	20.7	18.6	25.8	21.1	18.8	26.5	21.1	18.8	-	90
95	22.8	19.8	17.8	24.1	20.3	18.3	25.0	20.6	18.6	25.7	20.7	18.5	-	95
100	22.0	19.4	17.6	23.2	19.9	17.9	24.1	20.1	18.4	24.8	20.3	18.2	-	100
105	21.3	18.7	17.4	22.4	19.4	17.6	23.3	19.8	18.0	24.0	19.8	18.0	-	105
110	20.7	18.2	-	21.8	19.0	17.4	22.6	19.5	17.8	23.3	19.5	17.8	-	110
115	19.8	17.7	-	21.2	18.7	17.2	22.1	19.1	17.6	22.7	19.1	17.7	-	115
120	18.8	17.3	-	20.6	18.3	-	21.6	18.8	17.3	22.2	18.8	17.5	-	120
125	-	-	-	19.9	17.8	-	21.1	18.5	-	21.6	18.5	17.4	-	125
130	-	-	-	19.1	17.2	-	20.6	18.1	-	21.0	18.3	17.2	-	130
135	-	-	-	18.3	17.0	-	20.1	17.8	-	20.5	18.1	17.0	-	135
140	-	-	-	-	-	-	19.4	17.4	-	19.8	17.9	-	-	140
145	-	-	-	-	-	-	18.6	17.1	-	19.1	17.8	-	-	145
150	-	-	-	-	-	-	17.9	16.8	-	18.9	17.5	-	-	150
155	-	-	-	-	-	-	-	-	-	18.7	17.1	-	-	155
160	-	-	-	-	-	-	-	-	-	18.2	16.8	-	-	160

Operation

176,400 lbs		30.55 ft x 27.2 ft			3.6 ft + 35.8 ft			360°			ASME B30.5		
ft	156.2 ft			170.0 ft			183.8 ft			197.5 ft			ft
	0°	20°	40°	0°	20°	40°	0°	20°	40°	0°	20°	40°	
1,000 lbs													
30	-	30.1	-	-	28.3	-	-	-	-	-	-	-	30
35	40.9	28.8	-	-	28.1	-	-	27.2	-	-	-	-	35
40	39.0	27.8	-	35.2	27.2	-	27.0	26.3	-	-	24.4	-	40
45	37.3	27.0	-	35.2	26.4	-	29.1	25.6	-	-	24.4	-	45
50	35.8	26.1	21.4	34.4	25.6	21.1	29.5	24.9	20.6	24.4	24.0	-	50
55	34.3	25.3	20.9	33.3	24.9	20.6	29.5	24.3	20.3	24.4	23.5	19.8	55
60	33.0	24.5	20.4	32.2	24.1	20.1	29.5	23.7	19.9	24.4	22.8	19.5	60
65	31.7	23.9	20.0	30.9	23.6	19.8	29.5	23.0	19.6	24.4	22.3	19.1	65
70	30.6	23.2	19.7	29.9	23.0	19.5	29.0	22.4	19.3	24.4	21.8	18.8	70
75	29.5	22.6	19.4	29.0	22.4	19.2	28.3	21.9	18.9	24.4	21.4	18.6	75
80	28.4	22.1	19.1	28.2	21.9	18.9	27.5	21.5	18.7	24.4	21.0	18.4	80
85	27.6	21.6	18.9	27.4	21.3	18.7	26.7	20.9	18.5	24.4	20.5	18.0	85
90	26.7	21.1	18.6	26.5	20.9	18.3	26.0	20.6	18.1	24.4	20.1	17.9	90
95	25.9	20.7	18.4	25.8	20.5	18.1	25.3	20.3	17.9	24.2	19.8	17.6	95
100	25.1	20.3	18.1	25.1	20.1	17.9	24.7	19.9	17.7	23.8	19.5	17.3	100
105	24.4	19.8	17.8	24.4	19.8	17.6	24.0	19.4	17.4	23.3	19.1	17.1	105
110	23.7	19.5	17.6	23.7	19.5	17.4	23.5	19.0	17.2	22.5	18.8	16.9	110
115	23.1	19.1	17.5	23.2	19.1	17.2	23.0	18.8	17.0	22.0	18.4	16.8	115
120	22.5	18.8	17.4	22.7	18.8	17.0	22.5	18.6	16.8	21.5	18.1	16.6	120
125	22.0	18.5	17.4	22.2	18.5	16.9	22.0	18.2	16.7	20.9	17.8	16.5	125
130	21.3	18.3	17.2	21.7	18.1	16.9	21.3	17.9	16.5	20.2	17.6	16.3	130
135	20.8	18.1	17.1	21.0	17.9	16.8	20.8	17.7	16.5	19.5	17.3	16.1	135
140	20.2	17.9	17.0	20.3	17.7	16.7	20.0	17.5	16.4	18.9	17.0	15.9	140
145	19.6	17.6	-	19.7	17.6	16.7	18.8	17.4	16.3	18.4	16.9	15.8	145
150	19.2	17.4	-	18.9	17.2	16.5	17.6	17.0	16.3	17.6	16.7	15.8	150
155	18.2	17.1	-	17.7	17.0	16.5	16.8	16.7	16.1	16.4	16.5	15.7	155
160	17.1	16.7	-	16.5	16.7	-	16.2	16.1	15.8	15.4	15.9	15.6	160
165	16.2	16.3	-	15.4	16.1	-	15.4	15.3	-	14.5	15.0	15.4	165
170	15.5	15.5	-	14.4	15.0	-	14.4	14.9	-	13.5	13.9	14.4	170
175	14.7	9.7	-	13.7	14.0	-	13.7	14.0	-	13.1	13.3	13.7	175
180	-	-	-	13.3	13.3	-	12.9	13.3	-	12.8	12.7	-	180
185	-	-	-	13.1	-	-	12.2	12.8	-	12.3	12.2	-	185
190	-	-	-	12.5	-	-	11.6	12.0	-	11.5	11.9	-	190
195	-	-	-	-	-	-	11.2	11.4	-	10.8	11.3	-	195
200	-	-	-	-	-	-	-	-	-	10.2	10.5	-	200
205	-	-	-	-	-	-	-	-	-	9.7	9.7	-	205
210	-	-	-	-	-	-	-	-	-	9.0	9.2	-	210

176,400 lbs		30.55 ft x 27.2 ft			3.6 ft + 35.8 ft			360°			ASME B30.5			
		211.3 ft			225.1 ft			238.9 ft			259.3 ft			
		0°	20°	40°	0°	20°	40°	0°	20°	40°	0°	20°	40°	
ft	1,000 lbs												ft	
40	-	18.5	-	-	15.4	-	-	-	-	-	-	-	-	40
45	-	18.5	-	-	15.4	-	-	-	-	-	-	-	-	45
50	-	18.5	-	-	15.4	-	-	-	-	-	-	-	-	50
55	18.5	18.5	18.5	15.4	15.4	15.4	-	12.7	-	-	11.2	-	-	55
60	18.5	18.5	18.5	15.4	15.4	15.4	12.7	12.7	12.7	-	11.2	-	-	60
65	18.5	18.5	18.5	15.4	15.4	15.4	12.7	12.7	12.7	-	11.2	-	-	65
70	18.5	18.5	18.5	15.4	15.4	15.4	12.7	12.7	12.7	11.2	11.2	11.2	-	70
75	18.5	18.5	18.3	15.4	15.4	15.4	12.7	12.7	12.7	11.2	11.2	11.2	-	75
80	18.5	18.5	17.9	15.4	15.4	15.4	12.7	12.7	12.7	11.2	11.2	11.2	-	80
85	18.5	18.5	17.6	15.4	15.4	15.4	12.7	12.7	12.5	11.2	11.2	11.2	-	85
90	18.5	18.5	17.5	15.4	15.4	15.4	12.7	12.7	12.2	11.2	11.2	11.2	-	90
95	18.5	18.5	17.3	15.4	15.4	15.4	12.7	12.7	11.9	11.2	11.2	11.2	-	95
100	18.5	18.5	17.0	15.4	15.4	15.4	12.7	12.7	11.5	11.2	11.2	11.2	-	100
105	18.5	18.5	16.7	15.4	15.4	15.4	12.7	12.7	11.2	11.2	11.2	11.2	-	105
110	18.5	18.3	16.5	15.4	15.4	15.4	12.7	12.4	10.9	11.2	11.2	11.0	-	110
115	18.5	18.0	16.4	15.4	15.4	15.1	12.7	11.9	10.6	11.2	11.2	10.7	-	115
120	18.4	17.6	16.2	15.4	15.3	14.8	12.7	11.5	10.4	11.2	11.2	10.4	-	120
125	18.0	17.1	16.0	15.4	14.9	14.5	12.7	11.2	10.1	11.2	11.2	10.3	-	125
130	17.7	16.6	15.8	15.4	14.4	13.9	12.7	11.0	9.9	11.2	11.2	10.1	-	130
135	17.1	16.2	15.6	15.0	14.0	13.6	12.6	10.7	9.8	11.2	10.8	9.9	-	135
140	16.5	15.8	15.2	14.5	13.7	13.3	12.3	10.4	9.5	11.0	10.4	9.6	-	140
145	16.0	15.4	14.9	14.1	13.4	13.0	11.9	10.1	9.2	10.5	10.1	9.4	-	145
150	15.7	15.0	14.6	13.7	13.1	12.6	11.5	9.9	9.0	10.2	9.8	9.2	-	150
155	15.2	14.5	14.3	13.2	12.7	12.3	11.2	9.6	8.9	9.7	9.4	9.1	-	155
160	14.7	14.1	13.9	12.8	12.3	12.0	10.8	9.3	8.7	9.2	9.0	8.8	-	160
165	14.2	13.7	13.5	12.4	12.0	11.8	10.4	9.1	8.5	8.9	8.7	8.5	-	165
170	13.7	13.4	13.2	12.1	11.6	11.4	10.1	8.8	8.3	8.5	8.3	8.3	-	170
175	12.9	13.1	12.9	11.8	11.3	11.3	9.8	8.6	8.2	8.2	8.0	8.0	-	175
180	12.0	12.6	12.5	11.4	11.0	11.0	9.6	8.4	8.0	7.9	7.7	7.7	-	180
185	11.2	11.9	-	11.1	10.7	10.7	9.3	8.3	7.9	7.6	7.4	7.4	-	185
190	10.5	11.1	-	10.5	10.5	10.3	9.0	8.1	7.9	7.4	7.2	7.2	-	190
195	10.2	10.4	-	9.7	10.2	10.2	8.9	8.0	7.8	7.1	6.9	7.1	-	195
200	9.9	9.8	-	9.0	9.7	-	8.6	7.8	-	6.8	6.7	6.8	-	200
205	9.5	9.4	-	8.3	9.0	-	8.3	7.6	-	6.5	6.5	6.5	-	205
210	9.0	9.2	-	7.7	8.3	-	8.1	7.4	-	6.3	6.3	6.3	-	210
215	8.3	8.7	-	7.5	7.6	-	7.6	7.2	-	6.0	6.0	-	-	215
220	7.7	8.1	-	7.3	7.2	-	7.1	7.2	-	5.8	5.8	-	-	220
225	-	-	-	7.1	6.9	-	6.6	7.0	-	5.6	5.6	-	-	225
230	-	-	-	7.0	6.8	-	6.1	6.6	-	5.2	5.5	-	-	230
235	-	-	-	6.7	6.6	-	5.6	6.0	-	5.0	5.1	-	-	235
240	-	-	-	6.2	-	-	5.1	5.4	-	4.7	4.9	-	-	240
245	-	-	-	5.8	-	-	4.6	4.9	-	4.2	4.6	-	-	245
250	-	-	-	-	-	-	4.1	-	-	3.7	4.0	-	-	250
255	-	-	-	-	-	-	3.8	-	-	3.4	3.6	-	-	255
260	-	-	-	-	-	-	3.3	-	-	2.9	3.2	-	-	260

Operation

109,400 lbs		30.55 ft x 27.2 ft			3.6 ft + 35.8 ft			360°			ASME B30.5		
ft	44.4 ft			58.2 ft			73.5 ft			87.3 ft			ft
	0°	20°	40°	0°	20°	40°	0°	20°	40°	0°	20°	40°	
1,000 lbs													
10	43.4	-	-	43.4	-	-	-	-	-	-	-	-	10
12	43.4	-	-	43.4	-	-	-	-	-	-	-	-	12
14	43.4	37.2	-	43.4	-	-	43.4	-	-	-	-	-	14
16	43.4	35.7	-	43.4	-	-	43.4	-	-	-	-	-	16
18	43.4	34.5	-	43.4	35.2	-	43.4	35.7	-	43.4	-	-	18
20	43.2	33.3	-	43.4	34.1	-	43.4	34.7	-	43.4	34.9	-	20
25	39.0	30.5	-	42.3	31.6	-	43.4	32.3	-	43.4	32.6	-	25
30	35.1	28.2	23.7	38.7	29.5	24.1	41.7	30.4	24.3	43.2	30.8	24.3	30
35	31.9	26.4	22.6	35.5	27.7	23.1	38.3	28.7	23.3	40.5	29.2	23.5	35
40	29.2	24.7	21.7	32.5	26.0	22.1	35.4	27.1	22.6	37.6	27.8	22.8	40
45	27.0	23.3	20.9	30.1	24.6	21.4	32.9	25.7	21.8	35.1	26.6	22.1	45
50	25.2	22.2	19.9	28.2	23.6	20.8	30.7	24.7	21.2	32.9	25.5	21.4	50
55	23.6	21.0	18.9	26.5	22.6	20.1	28.9	23.7	20.6	31.0	24.5	20.9	55
60	22.1	19.8	18.1	24.9	21.6	19.3	27.2	22.7	20.1	29.2	23.6	20.4	60
65	20.4	18.6	17.5	23.5	20.8	18.6	25.7	21.9	19.5	27.7	22.8	20.0	65
70	18.7	17.8	-	22.3	19.6	17.9	24.5	21.2	18.8	26.5	22.0	19.6	70
75	-	-	-	21.0	18.6	-	23.4	20.4	18.2	25.3	21.3	19.0	75
80	-	-	-	19.6	17.8	-	22.4	19.6	17.7	24.1	20.8	18.4	80
85	-	-	-	18.1	17.1	-	21.4	18.8	17.4	23.2	20.2	18.0	85
90	-	-	-	-	-	-	20.1	18.1	-	22.3	19.4	17.7	90
95	-	-	-	-	-	-	18.8	17.5	-	21.5	18.7	13.0	95
100	-	-	-	-	-	-	-	-	-	20.5	18.1	-	100
105	-	-	-	-	-	-	-	-	-	19.4	17.6	-	105
110	-	-	-	-	-	-	-	-	-	18.3	17.1	-	110

109,400 lbs		30.55 ft x 27.2 ft			3.6 ft + 35.8 ft			360°			ASME B30.5		
ft	101.1 ft			114.9 ft			128.6 ft			142.4 ft			ft
	0°	20°	40°	0°	20°	40°	0°	20°	40°	0°	20°	40°	
1,000 lbs													
20	43.4	34.9	-	-	-	-	-	-	-	-	-	-	20
25	43.4	32.9	-	43.4	32.8	-	-	32.4	-	-	-	-	25
30	43.4	31.2	-	43.4	31.2	-	43.4	31.2	-	43.4	30.7	-	30
35	42.1	29.7	23.5	42.7	29.8	23.4	42.8	29.8	-	42.3	29.4	-	35
40	39.3	28.3	22.8	40.2	28.5	22.8	40.7	28.5	22.8	40.1	28.3	22.6	40
45	36.8	27.0	22.1	37.8	27.3	22.1	38.5	27.5	22.1	38.2	27.3	22.1	45
50	34.7	26.0	21.6	35.8	26.2	21.6	36.4	26.5	21.6	36.3	26.4	21.6	50
55	32.8	25.0	21.1	34.0	25.3	21.1	34.6	25.6	21.1	34.7	25.6	21.1	55
60	31.0	24.0	20.6	32.3	24.4	20.6	32.9	24.8	20.8	33.3	24.8	20.6	60
65	29.5	23.2	20.1	30.6	23.6	20.2	31.5	24.1	20.3	31.9	24.1	20.2	65
70	28.1	22.5	19.7	29.3	23.0	19.9	30.2	23.3	19.9	30.7	23.4	19.9	70
75	26.9	21.9	19.4	28.1	22.4	19.6	29.1	22.6	19.6	29.5	22.7	19.6	75
80	25.7	21.4	19.0	26.8	21.8	19.3	27.9	22.1	19.3	28.3	22.1	19.3	80
85	24.7	20.7	18.5	25.8	21.1	18.9	26.7	21.6	18.9	27.4	21.6	18.9	85
90	23.7	20.2	18.1	24.9	20.7	18.6	25.7	21.1	18.8	26.2	21.1	18.8	90
95	22.8	19.8	17.8	24.0	20.3	18.3	24.7	20.6	18.6	25.1	20.7	18.5	95
100	22.0	19.4	17.6	23.0	19.9	17.9	23.7	20.1	18.4	24.1	20.3	18.2	100
105	21.3	18.7	17.4	22.2	19.4	17.6	22.9	19.8	18.0	23.1	19.8	18.0	105
110	20.7	18.2	-	21.4	19.0	17.4	22.1	19.3	17.8	22.3	19.3	17.8	110
115	19.8	17.7	-	20.5	18.7	17.2	21.2	18.8	17.6	21.0	18.9	17.7	115
120	18.8	17.3	-	19.9	18.3	-	20.2	18.4	17.3	19.7	18.5	17.5	120
125	-	-	-	19.5	17.8	-	19.0	18.0	-	18.4	18.0	17.4	125
130	-	-	-	18.7	17.2	-	17.7	17.7	-	17.2	17.3	17.0	130
135	-	-	-	17.5	17.0	-	16.5	16.9	-	16.0	16.5	16.6	135
140	-	-	-	-	-	-	15.5	15.8	-	15.1	15.5	-	140
145	-	-	-	-	-	-	14.8	14.8	-	14.4	14.4	-	145
150	-	-	-	-	-	-	13.8	14.0	-	13.4	13.7	-	150
155	-	-	-	-	-	-	-	-	-	12.6	12.9	-	155
160	-	-	-	-	-	-	-	-	-	12.0	11.3	-	160

Operation

109,400 lbs		30.55 ft x 27.2 ft			3.6 ft + 35.8 ft			360°			ASME B30.5		
ft	156.2 ft			170.0 ft			183.8 ft			197.5 ft			ft
	0°	20°	40°	0°	20°	40°	0°	20°	40°	0°	20°	40°	
1,000 lbs													
30	-	30.1	-	-	28.3	-	-	-	-	-	-	-	30
35	40.9	28.8	-	-	28.1	-	-	27.2	-	-	-	-	35
40	39.0	27.8	-	35.2	27.2	-	27.0	26.3	-	-	24.4	-	40
45	37.3	27.0	-	35.2	26.4	-	29.1	25.6	-	-	24.4	-	45
50	35.8	26.1	21.4	34.4	25.6	21.1	29.5	24.9	20.6	24.4	24.0	-	50
55	34.3	25.3	20.9	33.3	24.9	20.6	29.5	24.3	20.3	24.4	23.5	19.8	55
60	33.0	24.5	20.4	32.2	24.1	20.1	29.5	23.7	19.9	24.4	22.8	19.5	60
65	31.7	23.9	20.0	30.9	23.6	19.8	29.5	23.0	19.6	24.4	22.3	19.1	65
70	30.6	23.2	19.7	29.9	23.0	19.5	29.0	22.4	19.3	24.4	21.8	18.8	70
75	29.5	22.6	19.4	29.0	22.4	19.2	28.3	21.9	18.9	24.4	21.4	18.6	75
80	28.4	22.1	19.1	28.2	21.9	18.9	27.5	21.5	18.7	24.4	21.0	18.4	80
85	27.6	21.6	18.9	27.4	21.3	18.7	26.7	20.9	18.5	24.4	20.5	18.0	85
90	26.2	21.1	18.6	26.2	20.9	18.3	26.0	20.6	18.1	24.4	20.1	17.9	90
95	25.1	20.7	18.4	25.1	20.5	18.1	25.0	20.3	17.9	24.0	19.8	17.6	95
100	24.1	20.3	18.1	24.1	20.1	17.9	23.8	19.9	17.7	23.0	19.5	17.3	100
105	23.1	19.8	17.8	23.1	19.8	17.6	22.7	19.4	17.4	21.3	19.1	17.1	105
110	21.7	19.3	17.6	21.6	19.1	17.4	21.0	19.0	17.2	20.0	18.8	16.9	110
115	20.6	18.8	17.5	19.9	18.5	17.2	19.5	18.5	17.0	19.0	18.3	16.8	115
120	19.4	18.4	17.3	18.5	18.1	17.0	18.2	17.9	16.8	17.9	17.7	16.6	120
125	17.9	18.0	16.9	17.4	17.7	16.9	17.0	17.1	16.7	16.4	16.9	16.5	125
130	16.9	17.3	16.7	16.7	16.6	16.6	15.7	16.4	16.1	15.2	16.2	15.9	130
135	15.8	16.1	16.3	15.6	15.7	15.8	14.7	15.4	15.5	14.4	15.0	15.5	135
140	14.9	15.0	15.5	14.4	14.9	15.0	13.8	14.2	14.7	13.6	13.9	14.6	140
145	14.2	14.2	-	13.3	14.2	14.4	13.1	13.1	13.7	12.6	12.9	13.3	145
150	13.2	13.5	-	12.5	12.9	13.6	12.6	12.4	12.7	11.6	12.4	12.5	150
155	12.1	12.7	-	11.7	12.0	12.5	11.7	11.9	11.9	10.7	11.6	11.9	155
160	11.4	11.9	-	11.2	11.3	-	10.8	11.3	11.4	9.9	10.7	11.1	160
165	10.8	11.1	-	10.6	10.7	-	9.9	10.6	-	9.1	9.7	10.1	165
170	10.0	10.4	-	9.8	10.2	-	9.1	9.8	-	8.8	8.9	9.3	170
175	9.6	8.0	-	9.1	9.5	-	8.4	9.1	-	8.5	8.2	8.5	175
180	-	-	-	8.4	8.8	-	7.9	8.3	-	8.1	7.7	-	180
185	-	-	-	7.8	-	-	7.6	7.6	-	7.7	7.4	-	185
190	-	-	-	7.2	-	-	7.2	7.0	-	7.0	7.2	-	190
195	-	-	-	-	-	-	7.1	6.9	-	6.5	6.9	-	195
200	-	-	-	-	-	-	-	-	-	6.0	6.4	-	200
205	-	-	-	-	-	-	-	-	-	5.5	5.7	-	205
210	-	-	-	-	-	-	-	-	-	5.0	5.2	-	210

109,400 lbs		30.55 ft x 27.2 ft			3.6 ft + 35.8 ft			360°			ASME B30.5		
ft	211.3 ft			225.1 ft			238.9 ft			259.3 ft			ft
	0°	20°	40°	0°	20°	40°	0°	20°	40°	0°	20°	40°	
1,000 lbs													
40	-	18.5	-	-	15.4	-	-	-	-	-	-	-	40
45	-	18.5	-	-	15.4	-	-	-	-	-	-	-	45
50	-	18.5	-	-	15.4	-	-	-	-	-	-	-	50
55	18.5	18.5	18.5	15.4	15.4	15.4	-	12.7	-	-	11.2	-	55
60	18.5	18.5	18.5	15.4	15.4	15.4	12.7	12.7	12.7	-	11.2	-	60
65	18.5	18.5	18.5	15.4	15.4	15.4	12.7	12.7	12.7	-	11.2	-	65
70	18.5	18.5	18.5	15.4	15.4	15.4	12.7	12.7	12.7	11.2	11.2	11.2	70
75	18.5	18.5	18.3	15.4	15.4	15.4	12.7	12.7	12.7	11.2	11.2	11.2	75
80	18.5	18.5	17.9	15.4	15.4	15.4	12.7	12.7	12.7	11.2	11.2	11.2	80
85	18.5	18.5	17.6	15.4	15.4	15.4	12.7	12.7	12.5	11.2	11.2	11.2	85
90	18.5	18.5	17.5	15.4	15.4	15.4	12.7	12.7	12.2	11.2	11.2	11.2	90
95	18.5	18.5	17.3	15.4	15.4	15.4	12.7	12.7	11.9	11.2	11.2	11.2	95
100	18.5	18.5	17.0	15.4	15.4	15.4	12.7	12.7	11.5	11.2	11.2	11.2	100
105	18.5	18.5	16.7	15.4	15.4	15.4	12.7	12.7	11.2	11.2	11.2	11.2	105
110	18.5	18.3	16.5	15.4	15.4	15.4	12.7	12.4	10.9	11.2	11.2	11.0	110
115	17.8	18.0	16.4	15.4	15.4	15.1	12.7	11.9	10.6	11.2	11.2	10.7	115
120	16.7	17.5	16.2	15.4	15.3	14.8	12.7	11.5	10.4	11.2	11.2	10.4	120
125	15.8	16.6	16.0	15.3	14.9	14.5	12.7	11.2	10.1	11.2	11.2	10.3	125
130	15.1	15.1	15.8	13.9	14.4	13.9	12.7	11.0	9.9	11.2	11.2	10.1	130
135	13.9	14.1	14.8	12.7	13.8	13.6	12.6	10.7	9.8	11.2	10.8	9.9	135
140	12.8	13.4	13.7	11.9	12.9	13.2	12.1	10.4	9.5	11.0	10.4	9.6	140
145	11.8	12.9	12.9	11.4	11.8	12.6	11.1	10.1	9.2	10.4	10.1	9.4	145
150	10.5	11.6	12.4	11.1	10.5	11.4	10.1	9.9	9.0	9.6	9.8	9.2	150
155	10.1	10.6	11.4	10.3	9.6	10.4	9.2	9.6	8.9	8.7	9.4	9.1	155
160	9.8	9.7	10.4	9.5	9.0	9.4	8.3	9.1	8.7	7.9	8.8	8.8	160
165	9.6	8.9	9.5	8.6	8.8	8.4	7.3	8.3	8.4	7.0	7.9	8.4	165
170	8.9	8.4	8.4	7.8	8.5	8.1	6.7	7.5	8.1	6.2	7.1	8.0	170
175	8.1	8.2	7.9	7.1	7.8	8.0	6.0	6.9	7.4	5.5	6.4	7.2	175
180	7.3	7.8	7.7	6.4	7.1	7.5	5.3	6.1	6.6	4.9	5.7	6.3	180
185	6.7	7.2	-	5.7	6.4	6.8	4.6	5.3	5.9	4.2	5.0	5.5	185
190	6.1	6.6	-	5.0	5.7	6.1	3.9	4.6	5.2	3.5	4.4	4.8	190
195	5.5	6.1	-	4.6	5.2	5.5	3.5	4.1	4.6	3.0	3.8	4.2	195
200	4.9	5.5	-	4.1	4.6	-	2.9	3.5	-	2.5	3.2	3.6	200
205	4.4	4.9	-	3.5	4.0	-	-	2.9	-	-	2.7	3.1	205
210	3.9	4.4	-	3.0	3.5	-	-	2.4	-	-	2.2	2.6	210
215	3.6	3.9	-	2.5	3.0	-	-	-	-	-	-	-	215
220	3.1	3.3	-	-	2.5	-	-	-	-	-	-	-	220

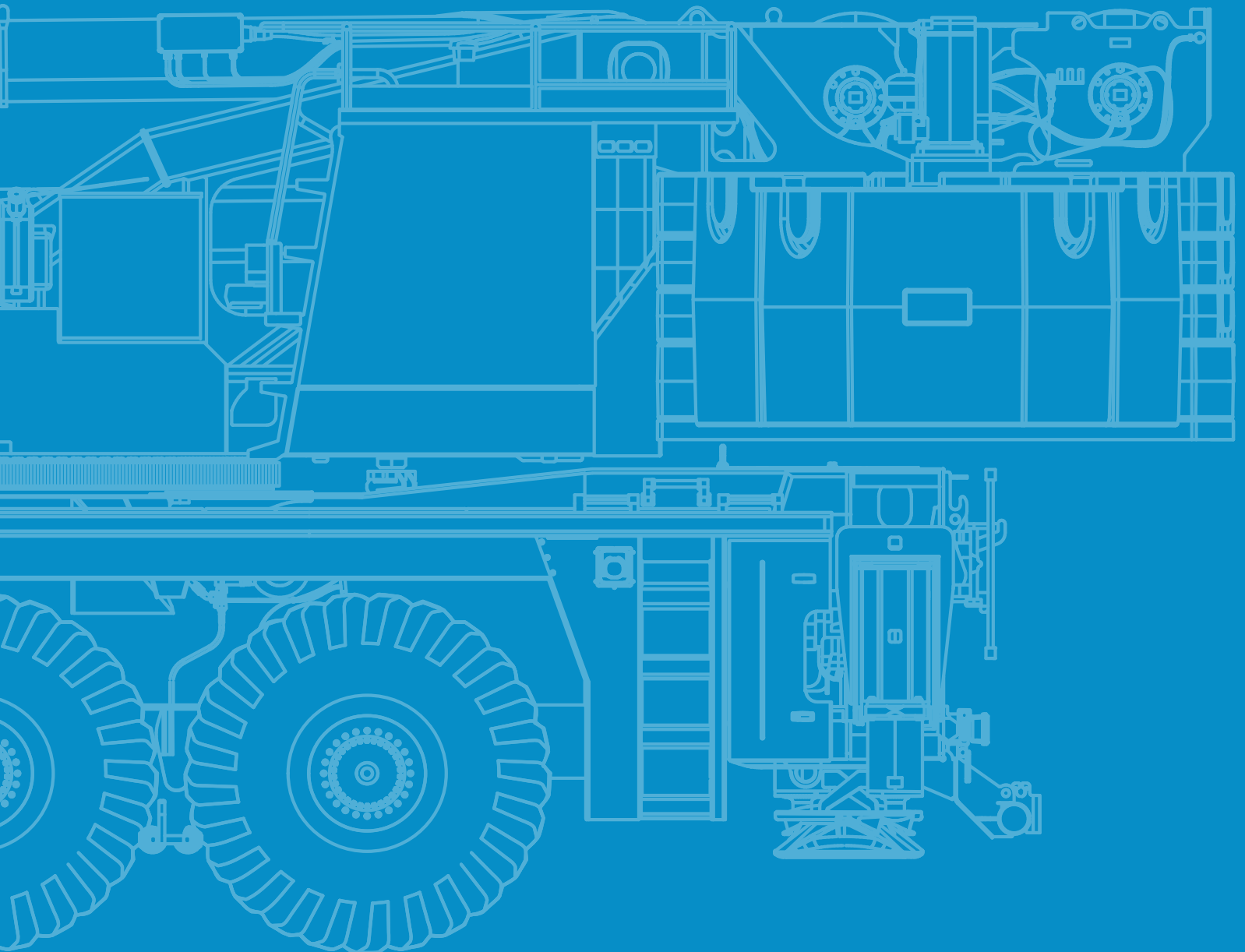
Notes to Lifting Capacity

Ratings are in compliance with ASME B30.5.
Lifting capacities do not exceed 85 % of tipping load.

Weight of hook blocks and slings is part of the load, and is to be deducted from the capacity ratings.
Consult operation manual for further details.

Note: Data published herein is intended as a guide only and shall not be construed to warrant applicability for lifting purposes.
Crane operation is subject to the computer charts and operation manual both supplied with the crane.

TECHNICAL DESCRIPTION



Technical Description

Basic machine

Equipment carrier

Engine 390-5	Mercedes-Benz OM471LA; Diesel engine; Output 390 kW / 1600 ¹ /min (530 HP), torque 2600 Nm / 1300 ¹ /min; The engine complies with EU Stage V / Tier 4F; Exhaust system complete stainless steel with SCR catalyzer.
Fuel tank	171 gallons Diesel (no RME / biodiesel); 11 gallons Ad-Blue tank.
Transmission ZF TraXon	Automated manual transmission with integrated hydraulic secondary retarder, 12 forward gears, and two reverse gears; Two-stage transfer case with engageable center-differential lock.
Axles 10 x 6 x 10	All 5 axles steered, axles 2, 4, 5 driven and equipped with selectable transverse lock.
Suspension	Hydropneumatic suspension with axle load compensation; Hydraulically lockable; Manual or automatic levelling alternatively.
Steering	Dual circuit hydro servocom steering with emergency steering pump; Active rear axle steering.
Brakes	Pneumatic dual-circuit service brake with ABS, acting on all wheels; Disc brakes; Additional two-stage decompression brake; Spring-loaded parking brake. Retarder as a non-wearing continuous service brake integrated into the transmission.
Tires	Tires size 385/95 R25 (14.00R25); Steel rim 9,5-25/1,7"
Cab 2850	Type 9.35 ft; Adjustable driver seat, armrests and pneumatic suspension; Height and tilt-adjustable steering wheel; Auxiliary/passenger seat; Powered door windows; Tinted glass; Electrically adjustable rear-view mirrors, heated; Radio; Seat heating; Heating engine-dependent; Aircondition.
Rear view camera	Display in carrier cab; Camera mounted on rear of vehicle.
Drive lights	Including low beam, upper beam, daytime running lights, fog lights and cornering lights.
Central lubrication	Automatic central lubrication system for the lubricating points at the carrier.
Outriggers	H-4-Point design; Vertical and horizontal movement fully hydraulic; Manual or automatic levelling alternatively. 5 outrigger bases: 9.0 ft, 13.6 ft, 18.1 ft, 22.7 ft and 27.2 ft. 4 square outrigger pads with transport position at vertical cylinder.
Outrigger basis monitoring	Individual monitoring of horizontal stroke; Deviation warning in crane cab.
Outrigger load indicator	The outrigger load is indicated in the operator cab and the outrigger control box.
Electronic immobiliser system	Prevents uncontrolled carrier mobilisation; Incl. 4 ignition keys.
Pneumatic tire filling plug	For self-filling of the wheels.

Equipment superstructure

Telescopic boom	44.4 ft - 259.3 ft; Single cylinder telescoping system, automatic telescoping; Attachments for all equipment and extensions; 5 sheaves integrated in boom head for max. capacity of 209,000 lbs.
Boom luffing	1 luffing cylinder with automatic lowering brake valve.
Rotary drive	Single slewing gear unit with spring-loaded multi-disc brake.
H1	Hoist with spring-loaded multi-disc brake; Resolver (hoist rotation indicator).
Counterweight 109,400 lbs	7 pieces (① – ⑤); Automatic rigging system.
Control system	Enabling 4 simultaneous working movements; Electric pilot controls via 2 two-axis joysticks; Different control modes selectable for hydraulic circuits.
Operator aids	IC-1, with integrated electronic load moment indicator in accordance with EN13000; Color display; Displaying of current operating conditions, load charts, fault indicator; Signal lights indicating LMI-load; Crane data logger.
Working range limiter	Displaying and programmability of the work range limits by IC-1.
IC-1 Plus	Smart crane control system for main boom operation enabling higher lifting capacities especially over outriggers. Enables safe use of the full capacity of the crane even in asymmetric outrigger configurations. Outriggers can be positioned independently. Capacity precalculation for +/- 30° slewing angle and radius area. In-cab lift simulation.
IC-1 Remote	IC-1 Remote, Tadano telematic system.
Cab 875	Type 2.87 ft; Tilt infinitely variable 16°; Sliding window rear; Fold-out front window; Extendable side pedestal, front pedestal; Handrails; Tinted safety glass; Pull-down sun visor; Radio; Seat heating; Heating engine-independent; Aircondition.
Central lubrication	Automatic central lubrication system for the lubricating points at the superstructure.

Technical Description

Additional equipment

Carrier

Axles 10 x 8 x 10	All 5 axles steered, axles 1, 2, 4, 5 driven and equipped with selectable transverse lock.
Wear-free auxiliary brake	Wear-free auxiliary eddy-current brake.
Tires	10 tires; Tire size 445/95R25 (16.00R25) or 525/80 (20.5R25).
Tadano Surround View	360° view during road travelling; Indication in display of carrier cabin. Usable as assistance system when entering jobsite with indication of outrigger positions and tailswing of counterweight.

Superstructure

Heavy lift attachment	2 additional sheaves; Dis-/connectable; For total 7 sheaves at boom head; Max. capacity 305,800 lbs.
2. hoist (H2)	Spring-loaded multi-disc brake; Integrated resolver (hoist rotation indicator); Quick couplings; Incl. hoist monitoring.
Additional counterweight 67,000 lbs	4 pieces; for total 176,400 lbs.
Load supervision camera	Camera mounted on main boom head to supervise the hook block and load from above; Incl. boom head light on boom head.

Handling

Remote control	Rigging and superstructure movements controlled via radio remote control.
-----------------------	---

Extensions

FOJ 3.3 ft + 32.8 ft	Lattice swing-away jib, manual offset 20°/40°; 1-sheaved head; Incl. transport storage; Cannot be carried while maintaining 26,500 lbs axle load.
FOJ 3.3 ft + 62.3 ft	Double folding swing-away jib, manual offset 20°/40°; 1-sheaved head; Incl. transport storage; Cannot be carried while maintaining 26,500 lbs axle load. Includes FOJ 3.3 ft + 32.8 ft.
FOJ 3.6 ft + 15.4 ft	Folding swing-away jib, manual offset 20°/40°; 3-sheaves head.
FOJ 3.6 ft + 35.8 ft	Folding swing-away jib, manual offset 20°/40°; 1-sheave head.
19.7 ft adapter	Lattice adapter for usage with FOJ; Possible configurations FOJ 23.3 ft + 15.4 ft – FOJ 23.3 ft + 75.1 ft.
FOJ 19.7 ft inserts	Up to 3 x 19.7 ft intermediate section for usage with FOJ, self-rigging possible.
HOJ	Hydraulic, stepless offset 0°-40°, instead of the manual offset; Available for HOJ 3.6 ft + 15.4 ft – HOJ 3.6 ft + 94.8 ft, HOJ 23.3 ft + 15.4 ft – HOJ 23.3 ft + 75.1 ft and HOJ 3.3 ft + 32.8 ft - HOJ 3.3 ft + 62.3 ft.
R (runner)	1.3 ft + 3.9 ft; Variable assembly jib with manual offset; 1-sheave, for max. 43,400 lbs lifting capacity.

Hook Blocks

Hook block 352,800 lbs, 7-sheaves	Max. capacity 305,800 lbs; 2,870 lbs; Double hook, red with white signal stripes.
Hook block 275,600 lbs, 5-sheaves	Max. capacity 228,700 lbs; 2,540 lbs; Double hook, red with white signal stripes.
Hook block 176,400 lbs, 3-sheaves	Max. capacity 148,400 lbs; 1,760 lbs; Double hook, red with white signal stripes.
Hook block 176,400 lbs, 3-sheaves	Max. capacity 148,400 lbs; 1,760 lbs; Single hook, red with white signal stripes.
Hook block 70,500 lbs, 1-sheave	Max. capacity 64,800 lbs; 990 lbs; Single hook, red with white signal stripes.
Hook 22,050 lbs	Max. capacity 21,800 lbs; 660 lbs; Single hook, red.

Further additional equipment on request!

Weight data may deviate from posted values based on road / travel configuration, equipment configuration, and component weight tolerances.

tac.sales@tadano.com
www.tadano.com

Tadano Ltd.

Kanda Square 18th Floor, 2-2-1 Kanda-Nishikicho, Chiyoda-ku, Tokyo 101-0054, Japan
Phone: +81-3-6811-7309 (International Division)

Tadano America Corporation

4242 West Greens Road, Houston, TX 77066
Phone: +1 (281) 869-0030 · Fax: +1 (281) 869-0040



Reaching new heights

